

FORM
Identifier: F 108
Revision: 04
Page: 1/1

Product specification
for inductive components

MAGNETEC GmbH
Industriestrasse 7
D-63505 Langenselbold



Client:	MAGNETEC GmbH	Magnetec P/N:	M-659	Magnetec A/N:	12540
Client's P/N:	/	PS Index:	02	PS Revision:	02
Subject:	EMC Wandler			Type:	

1. Mechanical Outline

Nominal core dimensions:

25 x 16 x 10

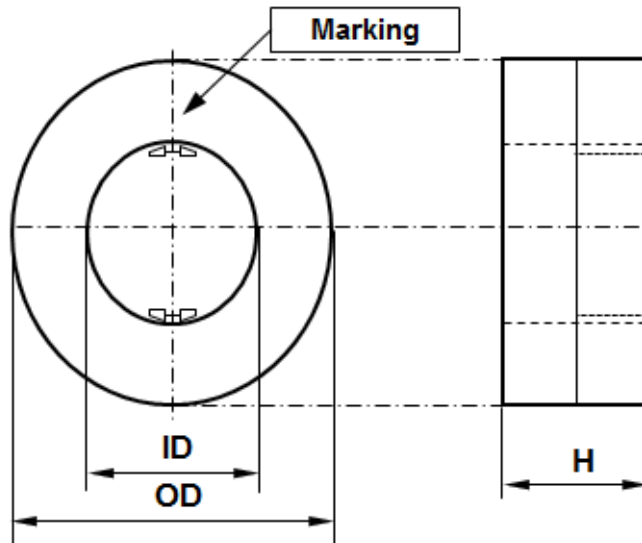
Finished product dimensions:

OD ≤ 28,2

ID ≥ 13,2

H ≤ 12,6

[dimensions] = mm



2. Core data (nominal values)

Core material:	NANOPERM®	$L_{Fe} = 6,34 \text{ cm}$	$A_{Fe} = 0,338 \text{ cm}^2$
Permeability level:		@ frequency	@ H peak
	1 000	10 kHz	3 mA/cm
	1 000	100 kHz	3 mA/cm

3. Inspection values

	Measured value	Measurement limits	Frequency	$l_{eff} \times N$ [mA x turn]
AL1 [nH]		469 - 937	10 kHz	13,5
AL2 [nH]		469 - 937	100 kHz	13,5

4. Core finishing

Type:	Cased
Marking:	MAGNETEC M-659-02 YM (YM = Year/Month), acc. to IEC 60062 6.1.1
Packaging:	63 pcs. per layer; 6 layers per carton box ; PU = 378 pcs.

5. Comments:



Index / Revision	Alteration	Date
01 / 01	Product Specification	21.02.2011
02 / 02	Change to blue case	25.07.2016

Created:	M. Pádár	Approved (Techn):	F. Zámbořszky	Approved (Quality):	L. Ferencz	Released:	P. Seiz
	25.07.2016		08.08.2016		08.08.2016		10.08.2016