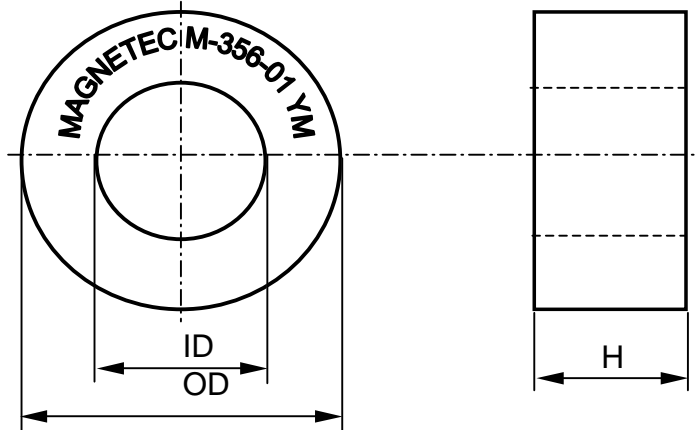


MAGNETEC a/n: 12333	Datasheet	MAGNETEC GmbH
Version: 01		Industriestrasse 7
Page 1 of 1		D-63505 Langenselbold

Subject: EMV Wandler	Customer: MAGNETEC GmbH
MAGNETEC p/n: M-356	Index: 01
	Customer p/n: /

1. Mechanical outline:



Nominal dimensions of the core:
50 x **40** x **20** mm

Physical dimensions of the product:

OD ≤ **52,5** mm
 ID ≥ **36,9** mm
 H ≤ **22,5** mm

Date code acc. to IEC 62 5.1
 RoHS compliant acc. to 2002/95/EC

2. Core type: epoxy coated and foiled core

3. Core material: NANOPERM ®

4. Core data: $l_{Fe} = 14,08$ cm $A_{Fe} = 0,80$ cm²

5. Nominal permeability: 1. $\mu \geq 60\ 000$ @ $f = 10$ kHz and $H_{max} = 3,01$ mA/cm

6. Inspection values: 1. $A_L \geq 40,0$ μ H @ $f = 10$ kHz $I_{eff} \times N = 30,0$ mA x turns

7. Marking: "MAGNETEC M-356-01 YM" (YM: Production year & month)

8. Packaging: 15 pcs. per tray, 4 trays per carton box (PU 60 pcs.)

Index	Version	Alteration	Date	Creator
01	01	Produkt specification	08.06.2005	Árpád Kovách

Created: Árpád Kovách 08.06.2005	Techn. approval: József Nyéki 08.06.2005	QS approval: Viktor Káposztás 08.06.2005	Released: Fritz Rauscher 13.06.2005
--	--	--	---