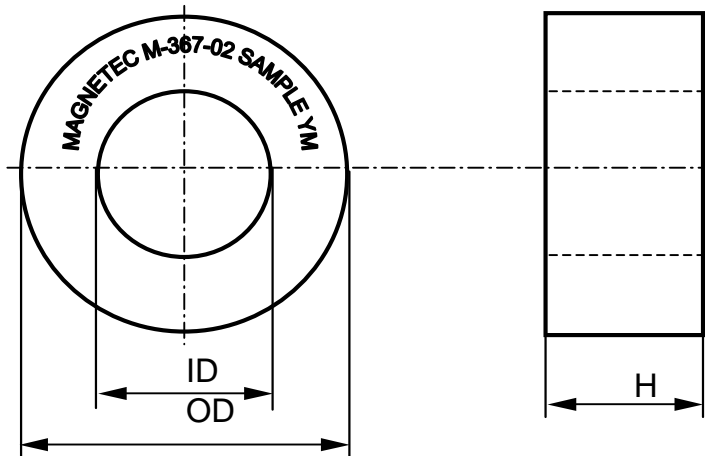


MAGNETEC a/n: 81619	<h1>Datasheet</h1>	MAGNETEC GmbH
Version: 01		Industriestrasse 7
Page 1 of 1		D-63505 Langenselbold

Subject: EMC wandler	Customer: MAGNETEC GmbH
MAGNETEC p/n: M-367	Index: 02 S Customer p/n: /

1. Mechanical outline:



Nominal dimensions of the core:
50 x 40 x 20 mm

Physical dimensions of the product:

OD ≤ 52,3 mm
ID ≥ 37,1 mm
H ≤ 22,8 mm

Date code acc. to IEC 62 5.1
RoHS compliant acc. to 2002/95/EC

PRELIMINARY

- 2. Core type:** Cased core
- 3. Core material:** NANOPERM®
- 4. Core data:** $l_{Fe} = 14,08 \text{ cm}$ $A_{Fe} = 0,73 \text{ cm}^2$
- 5. Nominal permeability:** 1. $\mu \text{ ca. } 16\,000 @ f = 100 \text{ kHz}$ and $H_{max} = 3,01 \text{ mA/cm}$
- 6. Inspection values:**
- | | | | | |
|----------------------------|----|--------------------|-------------------------|--|
| 1. $A_L = 8,2 \mu\text{H}$ | to | $16,4 \mu\text{H}$ | @ $f = 10 \text{ kHz}$ | $I_{eff} \times N = 30,0 \text{ mA} \times \text{turns}$ |
| 2. $A_L = 7,3 \mu\text{H}$ | to | $14,6 \mu\text{H}$ | @ $f = 100 \text{ kHz}$ | $I_{eff} \times N = 30,0 \text{ mA} \times \text{turns}$ |
- 7. Marking:** "MAGNETEC M-367-02 SAMPLE YM" (YM: Production year & month)
- 8. Packaging:** 15 pcs. per tray, 4 trays per carton box (PU 60 pcs.)

Index	Version	Alteration	Date	Creator
01S	01	Sample	05.10.2005	Árpád Kovách
02S	01	Sample, cased version	31.08.2006	Árpád Kovách

Created: Árpád Kovách 31.08.2006	Techn. approval:	QS approval:	Released:
-------------------------------------	------------------	--------------	-----------