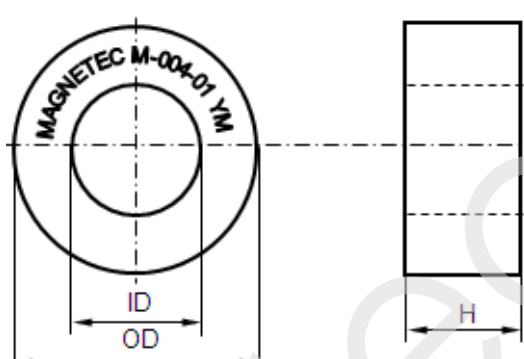


CONFIDENTIAL - Reproduction, publication and dissemination of this publication, enclosures hereto and the information contained therein is prohibited without MAGNETEC's prior written consent.

Client:	MAGNETEC GmbH	Magnetec P/N:	M-004		
Client's P/N:	/	PS Index:	01	PS Revision:	03
Subject:	CT Wandler				

1. Mechanical Outline	
Nominal equivalent round core: 29 x 25 x 5 Finished product dimensions: OD \leq 32,2 ID \geq 22,8 H \leq 8,2 [dimensions] = mm	

2. Core data (nominal values)			
Core material:	NANOPERM®	$L_{Fe} = 8,50 \text{ cm}$	$A_{Fe} = 0,07 \text{ cm}^2$
Permeability level:	ca.220.000	@ frequency 50 Hz	@ H peak 21 mA/cm

3. Inspection values (at room temperature, unless otherwise stated)			
Measured value	Measurement limits	Frequency	leff x N [mA x turn]
AL [μH]	20 - 30	50 Hz	128

4. Core finishing	
Type:	Cased
Marking:	MAGNETEC M-004-01 YM (YM = Year/Month), acc. to IEC 60062 6.1.1
Packaging:	35 pcs. per layer; 9 layers per carton box; PU = 315 pcs.

5. Comments
Visit http://www.magnetec.de/fileadmin/pdf/pb_ds.pdf for further information.

Index / Revision	Alteration	Date
01 / 01	First issue	15.07.2014
01 / 02	Permeability increased, packaging unit added	17.10.2014
01 / 03	Revision: no change	21.02.2023

Created:	Z. Palánki 21.02.2023	Approved (Techn):	P. Nagy 20.03.2023	Approved (Quality):	D. Parragi 20.03.2023	Released:	D. Tóth 23.02.2023
-----------------	--------------------------	--------------------------	-----------------------	----------------------------	--------------------------	------------------	-----------------------

CONFIDENTIAL - Reproduction, publication and dissemination of this publication, enclosures hereto and the information contained therein is prohibited without MAGNETEC's prior written consent. Disclosing the specification to third parties or using its content without written permission from MAGNETEC is strictly forbidden and every offender is liable to pay the corresponding damages.