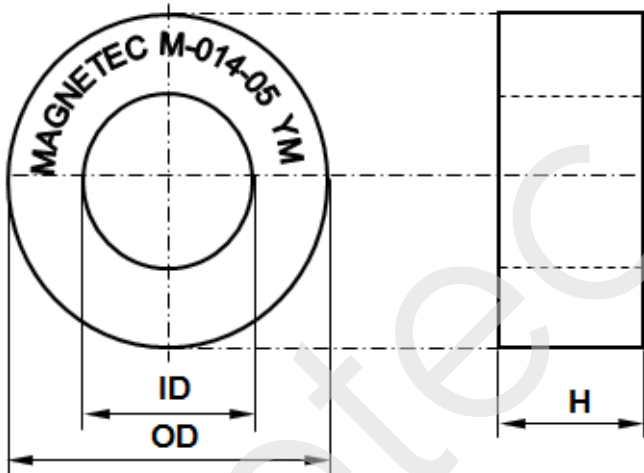


CONFIDENTIAL - Reproduction, publication and dissemination of this publication, enclosures hereto and the information contained therein is prohibited without MAGNETEC's prior written consent.

Client:	MAGNETEC	Magnetec P/N:	M-014		
Client's P/N:	/	PS Index:	05	PS Revision:	06
Subject:	EMC Wandler				

1. Mechanical Outline	
Nominal equivalent round core: 40 x 32 x 15 Finished product dimensions: OD \leq 42,3 ID \geq 29,1 H \leq 17,3 [dimensions] = mm	

2. Core data (nominal values)			
Core material:	NANOPERM®	$L_{Fe} = 11,26 \text{ cm}$	$A_{Fe} = 0,44 \text{ cm}^2$
Permeability level:	30.000	@ frequency 10 kHz	@ H peak 3,1 mA/cm

3. Inspection values (at room temperature, unless otherwise stated)			
Measured value	Measurement limits	Frequency	leff x N [mA x turn]
AL [μH]	10,7 - 21,4	10 kHz	25
AL [μH]	6,36 - NA	100 kHz	25

4. Core finishing	
Type:	Epoxy coated
Marking:	MAGNETEC M-014-05 YM (YM = Year/Month), acc. to IEC 60062 6.1.1
Packaging:	24 pcs. per layer; 5 layers per carton box; PU = 120 pcs.

5. Comments
Visit http://www.magnetec.de/fileadmin/pdf/pb_ds.pdf for further information.

Index / Revision	Alteration	Date
03S/ 01	Sample	03.11.1999
04 / 01	AL = 9,6 - 21,6 μ H	11.05.2001
05 / 02	AL = 10,7 - 21,4 μ H	07.01.2004
05 / 03	RoHS conform; PU = 120 pcs.	07.02.2006
05 / 04	New format	06.06.2006
05 / 05	Define 100kHz lower limit	27.08.2014
05 / 06	100 kHz lower limit increased	12.11.2018

Created:	Z. Braxátor 12.11.2018	Approved (Techn):	F. Zámbořszky 11.12.2018	Approved (Quality):	R. Montvai 19.11.2018	Released:	P. Seiz 11.12.2018
-----------------	---------------------------	--------------------------	-----------------------------	----------------------------	--------------------------	------------------	-----------------------

CONFIDENTIAL - Reproduction, publication and dissemination of this publication, enclosures hereto and the information contained therein is prohibited without MAGNETEC's prior written consent. Disclosing the specification to third parties or using its content without written permission from MAGNETEC is strictly forbidden and every offender is liable to pay the corresponding damages.