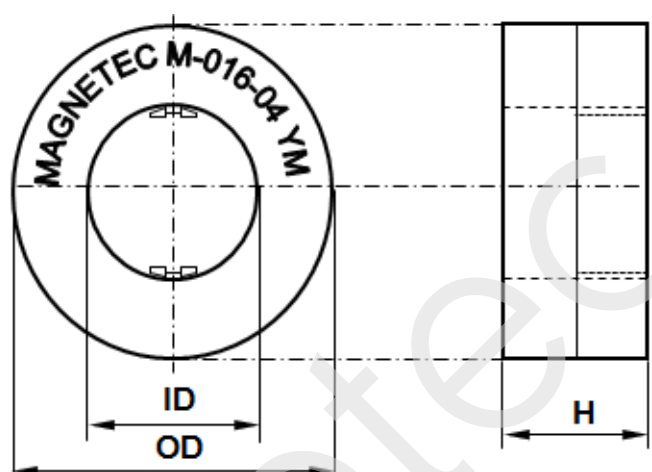


CONFIDENTIAL - Reproduction, publication and dissemination of this publication, enclosures hereto and the information contained therein is prohibited without MAGNETEC's prior written consent.

Client:	MAGNETEC	Magnetec P/N:	M-016		
Client's P/N:	/	PS Index:	04	PS Revision:	06
Subject:	EMC Wandler				

1. Mechanical Outline	
Nominal equivalent round core: 30 x 20 x 10 Finished product dimensions: OD ≤ / OD=32,7±0,2 ID ≥ / ID=17,8±0,2 H ≤ / H=12,3±0,2 [dimensions] = mm	

2. Core data (nominal values)			
Core material:	NANOPERM®	$L_{Fe} = 7,75 \text{ cm}$	$A_{Fe} = 0,38 \text{ cm}^2$
Permeability level:	90.000	@ frequency 10 kHz	@ H peak 3,65 mA/cm

3. Inspection values (at room temperature, unless otherwise stated)			
Measured value	Measurement limits	Frequency	leff x N [mA x turn]
AL [μH]	40 - 80	10 kHz	20
AL [μH]	10 - NA	100 kHz	20

4. Core finishing	
Type:	Cased
Marking:	MAGNETEC M-016-04 YM (YM = Year/Month), acc. to IEC 60062 6.1.1
Packaging:	35 pcs. per layer; 6 layers per carton box; PU = 210 pcs.

5. Comments
Visit http://www.magnetec.de/fileadmin/pdf/pb_ds.pdf for further information.

Index / Revision	Alteration	Date
01 / 00	Product specification	04.02.2000
02 / 01	AL = 40 - 80 μH / H = 12.6 mm	03.04.2001
03 / 02	Case MT-006.02 / PU = 210 pcs	27.10.2004
03 / 03	New format	10.07.2006
04 / 04	Permeability level 90.000	28.09.2006
04 / 05	100kHz lower limit defined	04.11.2014
04 / 06	Product dimension given by nominal value and tolerance	07.08.2015

Created:	Z. Palánki 07.08.2015	Approved (Techn):	F. Zámbořszky 10.08.2015	Approved (Quality):	J. Gulyás 10.08.2015	Released:	T. Trupp 10.08.2015
-----------------	--------------------------	--------------------------	-----------------------------	----------------------------	-------------------------	------------------	------------------------

CONFIDENTIAL - Reproduction, publication and dissemination of this publication, enclosures hereto and the information contained therein is prohibited without MAGNETEC's prior written consent. Disclosing the specification to third parties or using its content without written permission from MAGNETEC is strictly forbidden and every offender is liable to pay the corresponding damages.