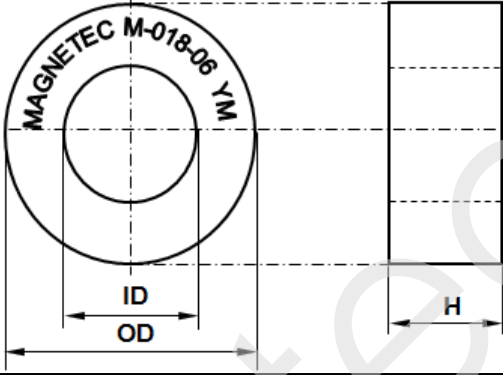


CONFIDENTIAL - Reproduction, publication and dissemination of this publication, enclosures hereto and the information contained therein is prohibited without MAGNETEC's prior written consent.

Client:	MAGNETEC	Magnetec P/N:	M-018	
Client's P/N:	/	PS Index:	06	PS Revision: 05
Subject:	EMC Wandler			

1. Mechanical Outline	
Nominal equivalent round core: 63 x 50 x 20 Finished product dimensions: OD ≤ 65,5 ID ≥ 46,6 H ≤ 22,8 [dimensions] = mm	

2. Core data (nominal values)			
Core material:	NANOPERM®	$L_{Fe} = 17,67 \text{ cm}$	$A_{Fe} = 0,95 \text{ cm}^2$
Permeability level:	ca. 30 000	@ frequency 10 kHz	@ H peak 3,2 mA/cm

3. Inspection values (at room temperature, unless otherwise stated)			
Measured value	Measurement limits	Frequency	leff x N [mA x turn]
AL [μH]	13,2 - 29,7	10 kHz	40
AL [μH]	6,6 - NA	100 kHz	40

4. Core finishing	
Type:	Epoxy coated
Marking:	MAGNETEC M-018-06 YM (YM = Year/Month), acc. to IEC 60062 6.1.1
Packaging:	10 pcs. per layer; 4 layers per carton box; PU = 40 pcs.

5. Comments
Visit http://www.magnetec.de/fileadmin/pdf/pb_ds.pdf for further information.

Index / Revision	Alteration	Date
04 / 00	Product Specification	29.03.2002
04 / 01	Measuring changed	30.10.2003
05 / 02	Hostaphan bandaged core	30.01.2004
06 / 03	Epoxy coated core only / PU = 40 pcs.	09.12.2004
06 / 04	New PS format	28.01.2008
06 / 05	Define 100kHz lower limit	28.08.2014

Created:	Z. Palánki 28.08.2014	Approved (Techn):	F. Zámboorszky 09.09.2014	Approved (Quality):	J. Gulyás 09.09.2014	Released:	T. Trupp 09.09.2014
-----------------	--------------------------	--------------------------	------------------------------	----------------------------	-------------------------	------------------	------------------------

CONFIDENTIAL - Reproduction, publication and dissemination of this publication, enclosures hereto and the information contained therein is prohibited without MAGNETEC's prior written consent. Disclosing the specification to third parties or using its content without written permission from MAGNETEC is strictly forbidden and every offender is liable to pay the corresponding damages.