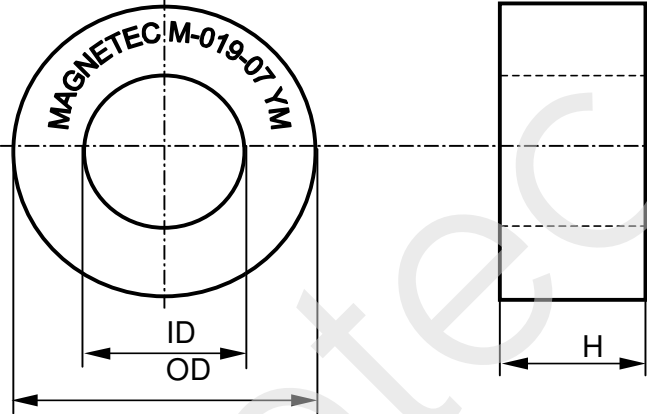


CONFIDENTIAL - Reproduction, publication and dissemination of this publication, enclosures hereto and the information contained therein is prohibited without MAGNETEC's prior written consent.

| | | | | | |
|----------------------|--------------------|----------------------|--------------|---------------------|-----------|
| Client: | MAGNETEC | Magnetec P/N: | M-019 | | |
| Client's P/N: | - | PS Index: | 07 | PS Revision: | 06 |
| Subject: | EMV Wandler | | | | |

| 1. Mechanical Outline | |
|---|--|
| Nominal equivalent round core: 100 x 80 x 20 Finished product dimensions: OD \leq 104,0 ID \geq 75,0 H \leq 23,0 [dimensions] = mm |  |

| 2. Core data (nominal values) | | | |
|-------------------------------|-------------------|------------------------------|-------------------------------|
| Core material: | NANOPERM® | $L_{Fe} = 28,16 \text{ cm}$ | $A_{Fe} = 1,46 \text{ cm}^2$ |
| Permeability level: | ca. 30.000 | @ frequency 10 kHz | @ H peak 3,01 mA/cm |

| 3. Inspection values (at room temperature, unless otherwise stated) | | | |
|---|--------------------|----------------|----------------------|
| Measured value | Measurement limits | Frequency | leff x N [mA x turn] |
| AL [μH] | 12,6 - 28,3 | 10 kHz | 60,0 |
| AL [μH] | 10 - NA | 100 kHz | 60,0 |

| 4. Core finishing | |
|-------------------|--|
| Type: | Epoxy coated |
| Marking: | "MAGNETEC M-019-07 YM" (YM = Production year/month) |
| Packaging: | 4 pcs. per layer; 4 layers per carton box; PU = 16 pcs. |

| 5. Comments | |
|--|--|
| Visit http://www.magnetec.de/fileadmin/pdf/pb_ds.pdf for further information. | |

| Index / Revision | Alteration | Date |
|------------------|--|------------|
| 05 / 01 | AL \geq 10 μ H; P _{fe} \leq 110W/kg | 10.03.2001 |
| 05 / 02 | Test @ 100kHz before coating | 18.06.2002 |
| 05 / 03 | PU = 10 pcs. | 15.01.2003 |
| 05 / 04 | PU = 16 pcs. | 27.11.2003 |
| 06S / 05 | Sample | 06.12.2003 |
| 07 / 05 | 100 kHz performance | 15.07.2005 |
| 07 / 06 | New form | 19.10.2007 |

| | | | | | | | |
|-----------------|-------------------------|--------------------------|------------------------|----------------------------|----------------------------|------------------|---------------------------|
| Created: | Á. Kovách 19.10.2007 | Approved (Techn): | J. Nyeki 29.10.2007 | Approved (Quality): | V. Kaposztas 30.10.2007 | Released: | F. Rauscher 30.10.2007 |
|-----------------|-------------------------|--------------------------|------------------------|----------------------------|----------------------------|------------------|---------------------------|

CONFIDENTIAL - Reproduction, publication and dissemination of this publication, enclosures hereto and the information contained therein is prohibited without MAGNETEC's prior written consent. Disclosing the specification to third parties or using its content without written permission from MAGNETEC is strictly forbidden and every offender is liable to pay the corresponding damages.