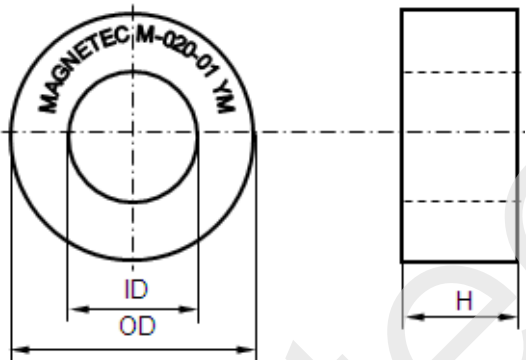


CONFIDENTIAL - Reproduction, publication and dissemination of this publication, enclosures hereto and the information contained therein is prohibited without MAGNETEC's prior written consent.

Client:	Magnetec	Magnetec P/N:	M-020		
Client's P/N:	/	PS Index:	01	PS Revision:	01
Subject:	CT Wandler				

1. Mechanical Outline	
Nominal equivalent round core: 17,5 x 12,5 x 6 Finished product dimensions: OD \leq 18,5 ID \geq 11,0 H \leq 7,0 [dimensions] = mm	

2. Core data (nominal values)			
Core material:	NANOPERM®	$L_{Fe} = 4,60$ cm	$A_{Fe} = 0,11$ cm ²
Permeability level:	ca. 85 000	@ frequency 50 Hz	@ H peak 4 mA/cm

3. Inspection values (at room temperature, unless otherwise stated)			
Measured value	Measurement limits	Frequency	leff x N [mA x turn]
AL [μH]	18 - 36	50 Hz	13

4. Core finishing	
Type:	Epoxy coated
Marking:	MAGNETEC M-020-01 YM (YM = Year/Month), acc. to IEC 62 5.1
Packaging:	110 pcs. per layer; 10 layers per carton box; PU = 1100 pcs.

5. Comments	
Visit http://www.magnetec.de/fileadmin/pdf/pb_ds.pdf for further information.	

Index / Revision	Alteration	Date
01 / 01	Product Specification	11.04.2012

Created:	Zs. Sándor 11.04.2012	Approved (Techn):	F. Záborszky 11.04.2012	Approved (Quality):	J. Gulyás 11.04.2012	Released:	H. Doenges 11.04.2012
-----------------	--------------------------	--------------------------	----------------------------	----------------------------	-------------------------	------------------	--------------------------

CONFIDENTIAL - Reproduction, publication and dissemination of this publication, enclosures hereto and the information contained therein is prohibited without MAGNETEC's prior written consent. Disclosing the specification to third parties or using its content without written permission from MAGNETEC is strictly forbidden and every offender is liable to pay the corresponding damages.