

CONFIDENTIAL - Reproduction, publication and dissemination of this publication, enclosures hereto and the information contained therein is prohibited without MAGNETEC's prior written consent.

Client:	MAGNETEC	Magnetec P/N:	M-027		
Client's P/N:	/	PS Index:	01	PS Revision:	01
Subject:	CT Wandler				

1. Mechanical Outline

Nominal equivalent round core:

60 x 55 x 5

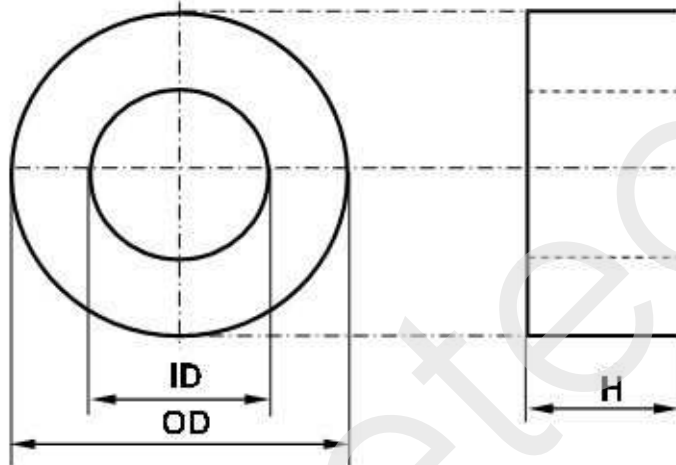
Finished product dimensions:

OD \leq **62,0**

ID \geq **51,6**

H \leq **7,5**

[dimensions] = mm



2. Core data (nominal values)

Core material:	NANOPERM®	$L_{Fe} = 17,74 \text{ cm}$	$A_{Fe} = 0,1 \text{ cm}^2$
Permeability level:	~ 160000	@ frequency 50 Hz	@ H peak 6 mA/cm

3. Inspection values (at room temperature, unless otherwise stated)

Measured value	Measurement limits	Frequency	$I_{eff} \times N$ [mA x turn]
AL [μH]	NA - 12,09	120 Hz	43
AL [μH]	NA - 17,42	120 Hz	72
AL [μH]	6,52 - NA	120 Hz	83
AL [μH]	9,72 - NA	120 Hz	133

4. Core finishing

Type:	Cased
Marking:	None
Packaging:	- pcs. per layer; - layers per carton box; PU = - pcs.

5. Comments

Measurements done on 120 Hz to increase accuracy .

Spot check of each batch on 50 Hz. Visit http://www.magnetec.de/fileadmin/pdf/pb_ds.pdf for further information.

Index / Revision	Alteration	Date
01 / 01	First issue	01.06.2015

Created:	D. Tóth 01.06.2015	Approved (Techn):	Zs. Sándor 08.06.2015	Approved (Quality):	J. Gulyás 08.06.2015	Released:	F. Zámboreszky 08.06.2015
-----------------	-----------------------	--------------------------	--------------------------	----------------------------	-------------------------	------------------	------------------------------

CONFIDENTIAL - Reproduction, publication and dissemination of this publication, enclosures hereto and the information contained therein is prohibited without MAGNETEC's prior written consent. Disclosing the specification to third parties or using its content without written permission from MAGNETEC is strictly forbidden and every offender is liable to pay the corresponding damages .