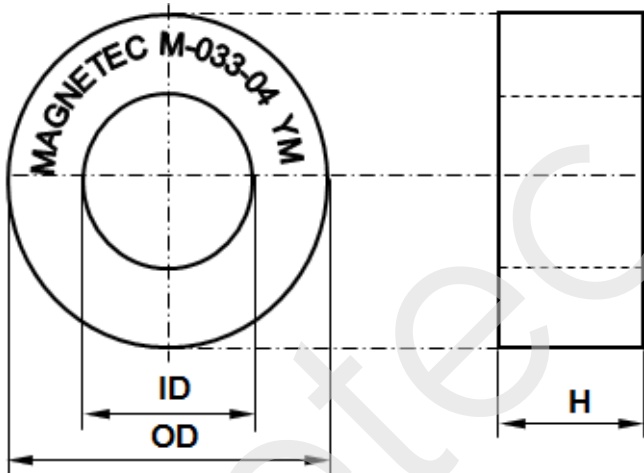


CONFIDENTIAL - Reproduction, publication and dissemination of this publication, enclosures hereto and the information contained therein is prohibited without MAGNETEC's prior written consent.

Client:	MAGNETEC	Magnetec P/N:	M-033		
Client's P/N:	/	PS Index:	04	PS Revision:	05
Subject:	EMC Wandler				

1. Mechanical Outline	
Nominal equivalent round core: 25 x 16 x 10 Finished product dimensions: OD ≤ 26,6 ID ≥ 13,7 H ≤ 12,3 [dimensions] = mm	

2. Core data (nominal values)			
Core material:	NANOPERM®	$L_{Fe} = 6,25 \text{ cm}$	$A_{Fe} = 0,32 \text{ cm}^2$
Permeability level:	ca. 25 000	@ frequency 10 kHz	@ H peak 3,3 mA/cm

3. Inspection values (at room temperature, unless otherwise stated)			
Measured value	Measurement limits	Frequency	leff x N [mA x turn]
AL [μH]	11,4 - 22,8	10 kHz	15
AL [μH]	8,0 - NA	100 kHz	15

4. Core finishing	
Type:	Epoxy coated
Marking:	MAGNETEC M-033-04 YM (YM = Year/Month), acc. to IEC 60062 6.1.1
Packaging:	48 pcs. per layer; 7 layers per carton box; PU = 336 pcs.

5. Comments	
Visit http://www.magnetec.de/fileadmin/pdf/pb_ds.pdf for further information.	

Index / Revision	Alteration	Date
03 / 00	Product Specification	07.03.2000
03 / 01	Permeability level ca. 25.000; OD ≤ 26.6mm; PU = 525 pcs.	20.07.2004
04 / 02	New format; AL = 11,4 - 22,8 μH	28.11.2007
04 / 03	PU = 336 pcs.	09.05.2013
04 / 04	100 kHz lower limit defined	13.05.2014
04 / 05	Increase of 100 kHz lower limit	24.09.2014

Created:	F. Zámbořský 24.09.2014	Approved (Techn):	Z. Makovinyi 06.10.2014	Approved (Quality):	J. Gulyás 06.10.2014	Released:	T. Trupp 06.10.2014
-----------------	----------------------------	--------------------------	----------------------------	----------------------------	-------------------------	------------------	------------------------

CONFIDENTIAL - Reproduction, publication and dissemination of this publication, enclosures hereto and the information contained therein is prohibited without MAGNETEC's prior written consent. Disclosing the specification to third parties or using its content without written permission from MAGNETEC is strictly forbidden and every offender is liable to pay the corresponding damages.