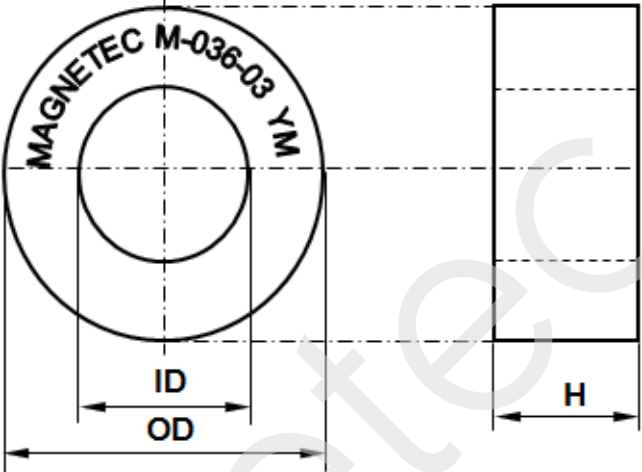


CONFIDENTIAL - Reproduction, publication and dissemination of this publication, enclosures hereto and the information contained therein is prohibited without MAGNETEC's prior written consent.

Client:	MAGNETEC	Magnetec P/N:	M-036		
Client's P/N:	/	PS Index:	03	PS Revision:	06
Subject:	EMC Wandler				

1. Mechanical Outline	
Nominal equivalent round core: 16 x 10 x 6 Finished product dimensions: OD ≤ 17,8 ID ≥ 8,0 H ≤ 8,0 [dimensions] = mm	

2. Core data (nominal values)			
Core material:	NANOPERM®	$L_{Fe} = 4,01 \text{ cm}$	$A_{Fe} = 0,13 \text{ cm}^2$
Permeability level:	ca. 30 000	@ frequency 10 kHz	@ H peak 3,53 mA/cm

3. Inspection values (at room temperature, unless otherwise stated)			
Measured value	Measurement limits	Frequency	leff x N [mA x turn]
AL [μH]	7,9 - 15,8	10 kHz	10
AL [μH]	4,7 - NA	100kHz	10

4. Core finishing	
Type:	Epoxy coated
Marking:	MAGNETEC M-036-03 YM (YM = Year/Month), acc. to IEC 60062 6.1.1
Packaging:	110 pcs. per layer; 9 layers per carton box; PU = 990 pcs.

5. Comments
Visit http://www.magnetec.de/fileadmin/pdf/pb_ds.pdf for further information.

Index / Revision	Alteration	Date
02 / 00	Product Specification	02.03.2000
02 / 01	PU = 990 pcs.	20.12.2004
02 / 02	New form / RoHS compliant	20.09.2005
03 / 03	AL = 7,9 - 15,8 μH	14.11.2008
03 / 04	Nominal core dimension and permeability level changed	08.02.2013
03 / 05	Define 100kHz lower limit	03.09.2014
03 / 06	Increase 100kHz lower limit to 4,7	14.05.2018

Created:	M. Pádár 14.05.2018	Approved (Techn):	F. Zámbořszky 17.05.2018	Approved (Quality):	R. Montvai 15.05.2018	Released:	T. Trupp 22.05.2018
-----------------	------------------------	--------------------------	-----------------------------	----------------------------	--------------------------	------------------	------------------------

CONFIDENTIAL - Reproduction, publication and dissemination of this publication, enclosures hereto and the information contained therein is prohibited without MAGNETEC's prior written consent. Disclosing the specification to third parties or using its content without written permission from MAGNETEC is strictly forbidden and every offender is liable to pay the corresponding damages.