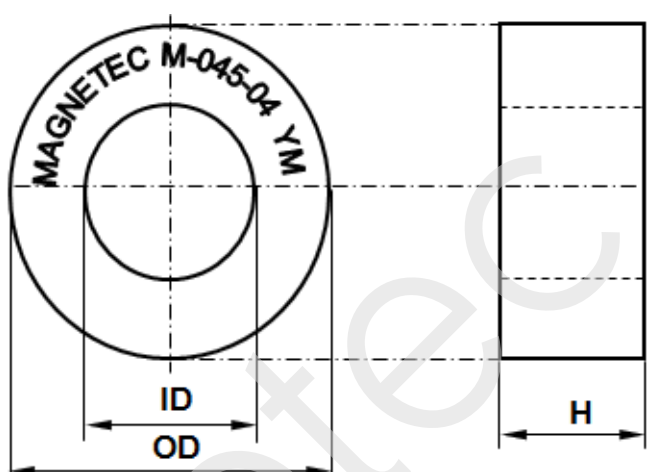


CONFIDENTIAL - Reproduction, publication and dissemination of this publication, enclosures hereto and the information contained therein is prohibited without MAGNETEC's prior written consent.

Client:	MAGNETEC	Magnetec P/N:	M-045		
Client's P/N:	/	PS Index:	04	PS Revision:	05
Subject:	EMC Wandler				

1. Mechanical Outline	
Nominal equivalent round core: 34 x 24 x 15 Finished product dimensions: OD \leq 35,5 ID \geq 22,0 H \leq 17,5 [dimensions] = mm	

2. Core data (nominal values)			
Core material:	NANOPERM®	$L_{Fe} = 9,02 \text{ cm}$	$A_{Fe} = 0,58 \text{ cm}^2$
Permeability level:	ca. 30.000	@ frequency 10 kHz	@ H peak 3,1 mA/cm

3. Inspection values (at room temperature, unless otherwise stated)			
Measured value	Measurement limits	Frequency	leff x N [mA x turn]
AL [μH]	16,7 - 32,0	10 kHz	20
AL [μH]	8,3 - NA	100 kHz	20

4. Core finishing	
Type:	Epoxy coated
Marking:	MAGNETEC M-045-04 YM (YM = Year/Month), acc. to IEC 60062 6.1.1
Packaging:	35 pcs. per layer; 5 layers per carton box; PU = 175 pcs.

5. Comments
Visit http://www.magnetec.de/fileadmin/pdf/pb_ds.pdf for further information.

Index / Revision	Alteration	Date
01 / 00	Product specification	02.03.2000
02 / 01	Dimension and packaging change	10.04.2001
03 / 02	Foil bandaged core	17.03.2004
04 / 03	Foil bandage removed, PU: 175	15.10.2004
04 / 04	LN format	08.02.2013
04 / 05	Define 100kHz lower limit	05.09.2014

Created:	Z. Palánki 05.09.2014	Approved (Techn):	F. Zámbořszky 09.10.2014	Approved (Quality):	J. Gulyás 09.10.2014	Released:	T. Trupp 09.10.2014
-----------------	--------------------------	--------------------------	-----------------------------	----------------------------	-------------------------	------------------	------------------------

CONFIDENTIAL - Reproduction, publication and dissemination of this publication, enclosures hereto and the information contained therein is prohibited without MAGNETEC's prior written consent. Disclosing the specification to third parties or using its content without written permission from MAGNETEC is strictly forbidden and every offender is liable to pay the corresponding damages.