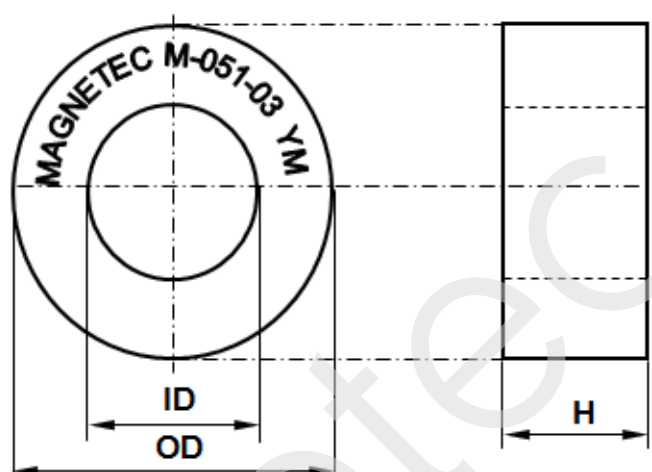


CONFIDENTIAL - Reproduction, publication and dissemination of this publication, enclosures hereto and the information contained therein is prohibited without MAGNETEC's prior written consent.

<b>Client:</b>	<b>MAGNETEC</b>	<b>Magnetec P/N:</b>	<b>M-051</b>		
<b>Client's P/N:</b>	/	<b>PS Index:</b>	<b>03</b>	<b>PS Revision:</b>	<b>04</b>
<b>Subject:</b>	<b>EMC Wandler</b>				

1. Mechanical Outline	
Nominal equivalent round core:  <b>108 x 68 x 25</b>  Finished product dimensions:  OD ≤ 110,0 ID ≥ 65,0 H ≤ 28,0  [dimensions] = mm	

2. Core data (nominal values)			
Core material:	<b>NANOPERM®</b>	$L_{Fe} = 27,16 \text{ cm}$	$A_{Fe} = 3,45 \text{ cm}^2$
Permeability level:	<b>ca. 30 000</b>	@ frequency <b>10 kHz</b>	@ H peak <b>3,0 mA/cm</b>

3. Inspection values (at room temperature, unless otherwise stated)			
Measured value	Measurement limits	Frequency	leff x N [mA x turn]
<b>AL [μH]</b>	<b>33,6 - 67,0</b>	<b>10 kHz</b>	<b>58,0</b>

4. Core finishing	
Type:	<b>Epoxy coated</b>
Marking:	<b>MAGNETEC M-051-03 YM (YM = Year/Month), acc. to IEC 62 5.1</b>
Packaging:	<b>4 pcs. per layer; 3 layers per carton box; PU = 12 pcs.</b>

5. Comments
Visit <a href="http://www.magnetec.de/fileadmin/pdf/pb_ds.pdf">http://www.magnetec.de/fileadmin/pdf/pb_ds.pdf</a> for further information.

Index / Revision	Alteration	Date
01 / 01	Product specification	22.03.2001
02 / 02	Nominal core dimensions: 108 x 68 x 25 mm / Di ≥ 66 mm	11.03.2002
03 / 03	New format; RoHS conform; AL = 35,4 - 70,8 μH; PU = 12 pcs.	13.04.2007
03 / 04	AL = 33,6 - 67,0 μH	24.10.2012

<b>Created:</b>	Z. Palánki 24.10.2012	<b>Approved (Techn):</b>	F. Zámbořszky 24.10.2012	<b>Approved (Quality):</b>	J. Gulyás 05.11.2012	<b>Released:</b>	F. Rauscher 05.11.2012
-----------------	--------------------------	--------------------------	-----------------------------	----------------------------	-------------------------	------------------	---------------------------

CONFIDENTIAL - Reproduction, publication and dissemination of this publication, enclosures hereto and the information contained therein is prohibited without MAGNETEC's prior written consent. Disclosing the specification to third parties or using its content without written permission from MAGNETEC is strictly forbidden and every offender is liable to pay the corresponding damages.