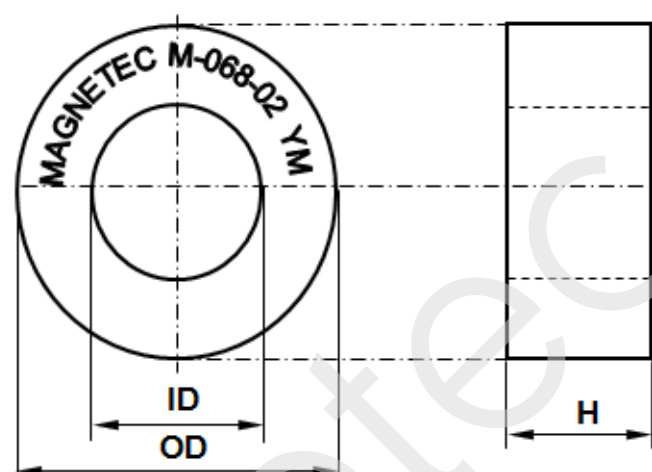


CONFIDENTIAL - Reproduction, publication and dissemination of this publication, enclosures hereto and the information contained therein is prohibited without MAGNETEC's prior written consent.

Client:	MAGNETEC GmbH	Magnetec P/N:	M-068	
Client's P/N:	/	PS Index:	02	PS Revision: 02
Subject:	EMC Wandler			

1. Mechanical Outline	
<p>Nominal equivalent round core:</p> <p>63 x 50 x 25</p> <p>Finished product dimensions:</p> <p>OD ≤ 65,6 ID ≥ 47,0 H ≤ 27,5</p> <p>[dimensions] = mm</p>	

2. Core data (nominal values)			
Core material:	NANOPERM®	$L_{Fe} = 17,67 \text{ cm}$	$A_{Fe} = 1,19 \text{ cm}^2$
Permeability level:	~30 000	@ frequency 10 kHz	@ H peak 3,2 mA/cm

3. Inspection values (at room temperature, unless otherwise stated)			
Measured value	Measurement limits	Frequency	I _{eff} x N [mA x turn]
AL [μH]	16,0 - 34,5	10 kHz	40
AL [μH]	8,0 - NA	100 kHz	40

4. Core finishing	
Type:	Epoxy coated
Marking:	MAGNETEC M-068-02 YM (YM = Year/Month), acc. to IEC 60062 6.1.1
Packaging:	10 pcs. per layer; 3 layers per carton box; PU = 30 pcs.

5. Comments
Visit http://www.magnetec.de/fileadmin/pdf/pb_ds.pdf for further information.

Index / Revision	Alteration	Date
01 / 00	Product Specification	06.02.2003
02 / 01	Improved high frequency behaviour	23.05.2008
02 / 02	Define 100kHz lower limit	05.09.2014

Created:	Z. Palánki 05.09.2014	Approved (Techn):	F. Zámboorszky 23.09.2014	Approved (Quality):	J. Gulyás 23.09.2014	Released:	T. Trupp 23.09.2014
-----------------	--------------------------	--------------------------	------------------------------	----------------------------	-------------------------	------------------	------------------------

CONFIDENTIAL - Reproduction, publication and dissemination of this publication, enclosures hereto and the information contained therein is prohibited without MAGNETEC's prior written consent. Disclosing the specification to third parties or using its content without written permission from MAGNETEC is strictly forbidden and every offender is liable to pay the corresponding damages.