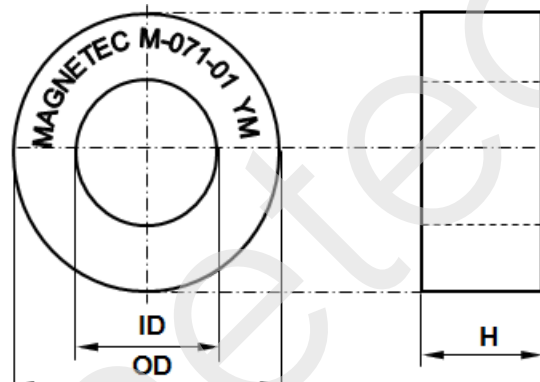


Product specification for inductive components

Form: MF04.05 (F108)
Revision: 02

CONFIDENTIAL - Reproduction, publication and dissemination of this publication, enclosures hereto and the information contained therein is prohibited without MAGNETEC's prior written consent.

Client:	MAGNETEC	Magnetec P/N:	M-071		
Client's P/N:	/	PS Index:	01	PS Revision:	02
Subject:	EMC Wandler				

1. Mechanical Outline	
Nominal equivalent round core: 100,5 x 75 x 25 Finished product dimensions: OD \leq 108,0 ID \geq 70,0 H \leq 29,0 [dimensions] = mm	

2. Core data (nominal values)			
Core material:	NANOPERM®	$L_{Fe} = 27,34 \text{ cm}$	$A_{Fe} = 2,52 \text{ cm}^2$
Permeability level:	70 000	@ frequency 10 kHz	@ H peak 3,1 mA/cm

3. Inspection values (at room temperature, unless otherwise stated)			
Measured value	Measurement limits	Frequency	$l_{eff} \times N$ [mA x turn]
AL [μH]	55,0 - 110,0	10 kHz	60
AL [μH]	16,5 - NA	100 kHz	60

4. Core finishing	
Type:	Epoxy coated
Marking:	MAGNETEC M-071-01 YM (YM = Year/Month), acc. to IEC 60062 6.1.1
Packaging:	4 pcs. per layer; 3 layers per carton box; PU = 12 pcs.

5. Comments	
Visit http://www.magnetec.de/fileadmin/pdf/pb_ds.pdf for further information.	

Index / Revision	Alteration	Date
01 / 00	Product Specification	25.10.2000
01 / 01	New format; PU = 12 pcs.	06.07.2007
01 / 02	Nominal permeability and 10kHz upper limit given, 100kHz lower limit defined	08.09.2014

Created:	Z. Palánki 08.09.2014	Approved (Techn):	F. Zámbořszky 28.01.2015	Approved (Quality):	J. Gulyás 28.01.2015	Released:	T. Trupp 28.01.2015
-----------------	--------------------------	--------------------------	-----------------------------	----------------------------	-------------------------	------------------	------------------------

CONFIDENTIAL - Reproduction, publication and dissemination of this publication, enclosures hereto and the information contained therein is prohibited without MAGNETEC's prior written consent. Disclosing the specification to third parties or using its content without written permission from MAGNETEC is strictly forbidden and every offender is liable to pay the corresponding damages.