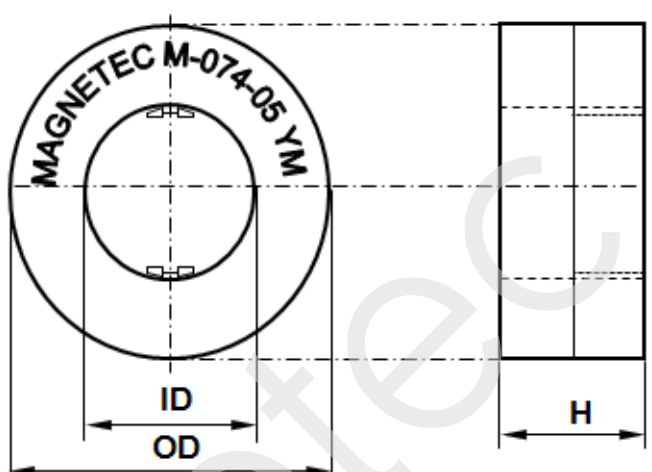


CONFIDENTIAL - Reproduction, publication and dissemination of this publication, enclosures hereto and the information contained therein is prohibited without MAGNETEC's prior written consent.

Client:	MAGNETEC	Magnetec P/N:	M-074		
Client's P/N:	/	PS Index:	05	PS Revision:	09
Subject:	EMC Wandler				

1. Mechanical Outline	
Nominal equivalent round core: 25 x 16 x 10 Finished product dimensions: OD ≤ 28,2 ID ≥ 13,0 H ≤ 12,8 [dimensions] = mm	

2. Core data (nominal values)			
Core material:	NANOPERM®	$L_{Fe} = 6,34 \text{ cm}$	$A_{Fe} = 0,315 \text{ cm}^2$
Permeability level:	ca. 90 000	@ frequency 10 kHz	@ H peak 3 mA/cm

3. Inspection values (at room temperature, unless otherwise stated)			
Measured value	Measurement limits	Frequency	leff x N [mA x turn]
AL [μH]	40,0 - 80,0	10 kHz	13,4
AL [μH]	10,8 - NA	100 kHz	13,4

4. Core finishing	
Type:	Cased
Marking:	MAGNETEC M-074-05 YM (YM = Year/Month), acc. to IEC 62 5.1
Packaging:	63 pcs. per layer; 6 layers per carton box; PU = 378 pcs.

5. Comments	
Visit http://www.magnetec.de/fileadmin/pdf/pb_ds.pdf for further information.	

Index / Revision	Alteration	Date
04 / 06	Case and packaging change	23.06.2004
04 / 07	New format	27.04.2005
05 / 08	LN format, 10 and 100kHz limits defined, finished product dimension changed	11.09.2012
05 / 09	Drawing change	15.10.2012

Created:	Z. Palánki 15.10.2012	Approved (Techn):	F. Záborszky 16.10.2012	Approved (Quality):	J. Gulyás 16.10.2012	Released:	F. Rauscher 16.10.2012
-----------------	--------------------------	--------------------------	----------------------------	----------------------------	-------------------------	------------------	---------------------------

CONFIDENTIAL - Reproduction, publication and dissemination of this publication, enclosures hereto and the information contained therein is prohibited without MAGNETEC's prior written consent. Disclosing the specification to third parties or using its content without written permission from MAGNETEC is strictly forbidden and every offender is liable to pay the corresponding damages.