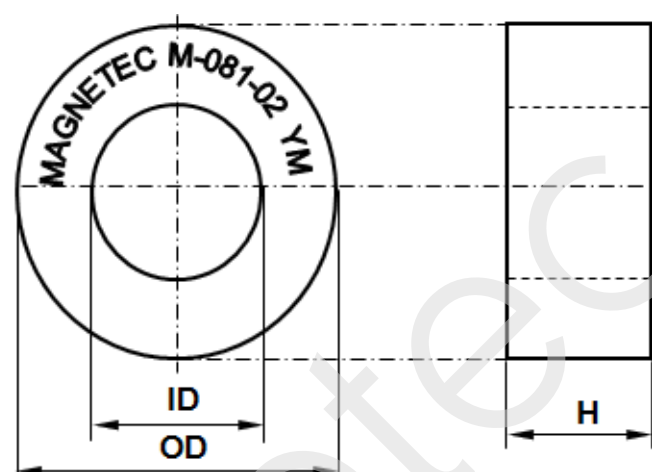


CONFIDENTIAL - Reproduction, publication and dissemination of this publication, enclosures hereto and the information contained therein is prohibited without MAGNETEC's prior written consent.

Client:	MAGNETEC	Magnetec P/N:	M-081		
Client's P/N:	/	PS Index:	02	PS Revision:	02
Subject:	EMC Wandler				

1. Mechanical Outline	
Nominal equivalent round core: 50 x 32 x 15 Finished product dimensions: OD ≤ 52,5 ID ≥ 29,5 H ≤ 17,3 [dimensions] = mm	

2. Core data (nominal values)			
Core material:	NANOPERM®	$L_{Fe} = 12,5 \text{ cm}$	$A_{Fe} = 1,0 \text{ cm}^2$
Permeability level:	~20 000	@ frequency 10 kHz	@ H peak 3,3 mA/cm

3. Inspection values (at room temperature, unless otherwise stated)			
Measured value	Measurement limits	Frequency	Ieff x N [mA x turn]
AL [μH]	12,6 - 29,4	10 kHz	30
AL [μH]	7,6 - NA	100 kHz	30

4. Core finishing	
Type:	Epoxy coated
Marking:	MAGNETEC M-081-02 YM (YM = Year/Month), acc. to IEC 60062 6.1.1
Packaging:	15 pcs. per layer; 4 layers per carton box; PU = 60 pcs.

5. Comments	
Visit http://www.magnetec.de/fileadmin/pdf/pb_ds.pdf for further information.	

Index / Revision	Alteration	Date
02 / 00	Product Specification	11.04.2001
02 / 01	New format / PU = 75 pcs.	27.10.2008
02 / 02	Define 100kHz lower limit	20.10.2014

Created:	Z. Palánki 20.10.2014	Approved (Techn):	F. Zámboorszky 13.11.2014	Approved (Quality):	J. Gulyás 13.11.2014	Released:	T. Trupp 13.11.2014
-----------------	--------------------------	--------------------------	------------------------------	----------------------------	-------------------------	------------------	------------------------

CONFIDENTIAL - Reproduction, publication and dissemination of this publication, enclosures hereto and the information contained therein is prohibited without MAGNETEC's prior written consent. Disclosing the specification to third parties or using its content without written permission from MAGNETEC is strictly forbidden and every offender is liable to pay the corresponding damages.