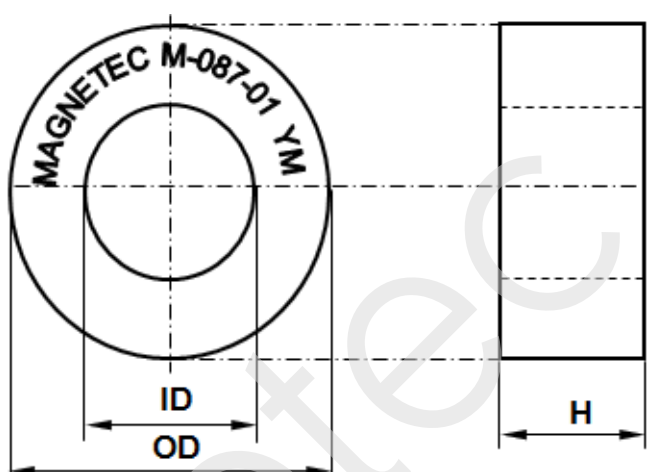


CONFIDENTIAL - Reproduction, publication and dissemination of this publication, enclosures hereto and the information contained therein is prohibited without MAGNETEC's prior written consent.

Client:	MAGNETEC	Magnetec P/N:	M-087		
Client's P/N:	/	PS Index:	01	PS Revision:	03
Subject:	EMC Wandler				

1. Mechanical Outline	
Nominal equivalent round core: 40 x 32 x 15 Finished product dimensions: OD ≤ 42,3 ID ≥ 29,1 H ≤ 17,3 [dimensions] = mm Dimensions of the epoxy coated core*	

2. Core data (nominal values)			
Core material:	NANOPERM®	$L_{Fe} = 11,26 \text{ cm}$	$A_{Fe} = 0,44 \text{ cm}^2$
Permeability level:	ca. 30.000	@ frequency 10 kHz	@ H peak 2,5 mA/cm

3. Inspection values (at room temperature, unless otherwise stated)			
Measured value	Measurement limits	Frequency	leff x N [mA x turn]
AL [µH]	10.7 - 21,4	10 kHz	20
AL [µH]	6.36 - NA	100 kHz	20

4. Core finishing	
Type:	Epoxy coated and foil bandaged
Marking:	MAGNETEC M-087-01 YM (YM = Year/Month), acc. to IEC 60062 6.1.1
Packaging:	24 pcs. per layer; 5 layers per carton box; PU = 120 pcs.

5. Comments
* The foil bandaging can increase the geometry even by 1 mm. Visit http://www.magnetec.de/fileadmin/pdf/pb_ds.pdf for further information.

Index / Revision	Alteration	Date
01 / 00	Product Specification	11.05.2001
01 / 01	LN format; PU: 120 pcs.	15.02.2013
01 / 02	Clarification of product dimension, define 100kHz lower limit	20.10.2014
01 / 03	100 kHz lower limit increased	04.12.2018

Created:	Z. Braxátor 04.12.2018	Approved (Techn):	F. Zámbořský 08.01.2019	Approved (Quality):	R. Montvai 19.12.2018	Released:	B. Kessler 09.01.2019
-----------------	---------------------------	--------------------------	----------------------------	----------------------------	--------------------------	------------------	--------------------------

CONFIDENTIAL - Reproduction, publication and dissemination of this publication, enclosures hereto and the information contained therein is prohibited without MAGNETEC's prior written consent. Disclosing the specification to third parties or using its content without written permission from MAGNETEC is strictly forbidden and every offender is liable to pay the corresponding damages.