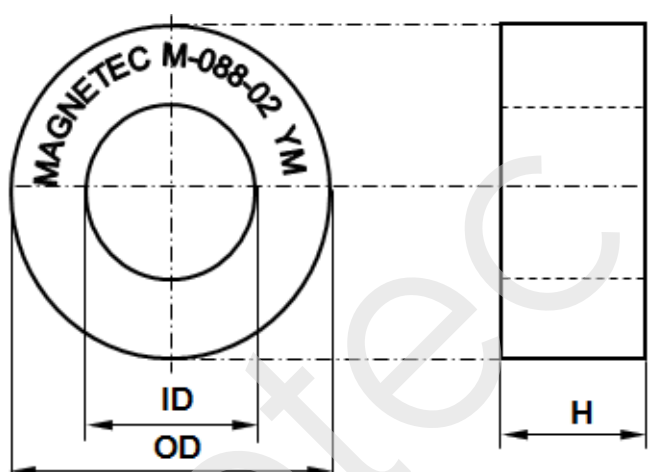


CONFIDENTIAL - Reproduction, publication and dissemination of this publication, enclosures hereto and the information contained therein is prohibited without MAGNETEC's prior written consent.

<b>Client:</b>	<b>MAGNETEC GmbH</b>	<b>Magnetec P/N:</b>	<b>M-088</b>		
<b>Client's P/N:</b>	/	<b>PS Index:</b>	<b>02</b>	<b>PS Revision:</b>	<b>06</b>
<b>Subject:</b>	<b>EMC Wandler</b>				

1. Mechanical Outline	
Nominal equivalent round core:  <b>63,5 x 51 x 25</b>  Finished product dimensions:  OD ≤ <b>65,5</b> ID ≥ <b>48,0</b> H ≤ <b>27,3</b>  [dimensions] = mm	

2. Core data (nominal values)			
Core material:	<b>NANOPERM®</b>	$L_{Fe} = 17,91 \text{ cm}$	$A_{Fe} = 1,25 \text{ cm}^2$
Permeability level:	<b>90 000</b>	@ frequency <b>10 kHz</b>	@ H peak <b>3,2 mA/cm</b>

3. Inspection values (at room temperature, unless otherwise stated)			
Measured value	Measurement limits	Frequency	leff x N [mA x turn]
<b>AL [μH]</b>	<b>53,5 - 100,0</b>	<b>10 kHz</b>	<b>40</b>
<b>AL [μH]</b>	<b>13,0 - NA</b>	<b>100 kHz</b>	<b>40</b>

4. Core finishing	
Type:	<b>Epoxy coated</b>
Marking:	<b>MAGNETEC M-088-02 YM (YM = Year/Month), acc. to IEC 60062 6.1.1</b>
Packaging:	<b>10 pcs. per layer; 3 layers per carton box; PU = 30 pcs.</b>

5. Comments
Visit <a href="http://www.magnetec.de/fileadmin/pdf/pb_ds.pdf">http://www.magnetec.de/fileadmin/pdf/pb_ds.pdf</a> for further information.

Index / Revision	Alteration	Date
01 / 00	Product Specification	03.05.2001
01 / 01	AL = 45 - 110 μH	18.07.2001
01 / 02	Di ≥ 47mm / PU = 12 pcs.	14.08.2002
02 / 03	Nominal core size 63.5 x 51.0 x 25mm / Di ≥ 48mm / AL = 45 - 100 μH / PU = 24 pcs.	25.02.2004
02 / 04		12.07.2006
02 / 05	New format / PU = 30 pcs.	20.10.2014
02 / 06	Define 100kHz lower limit Nominal permeability increased and AL limits changed	30.01.2015

<b>Created:</b>	Z. Palánki 30.01.2015	<b>Approved (Techn):</b>	F. Zámboorszky 02.02.2015	<b>Approved (Quality):</b>	J. Gulyás 02.02.2015	<b>Released:</b>	T. Trupp 02.02.2015
-----------------	--------------------------	--------------------------	------------------------------	----------------------------	-------------------------	------------------	------------------------

CONFIDENTIAL - Reproduction, publication and dissemination of this publication, enclosures hereto and the information contained therein is prohibited without MAGNETEC's prior written consent. Disclosing the specification to third parties or using its content without written permission from MAGNETEC is strictly forbidden and every offender is liable to pay the corresponding damages.