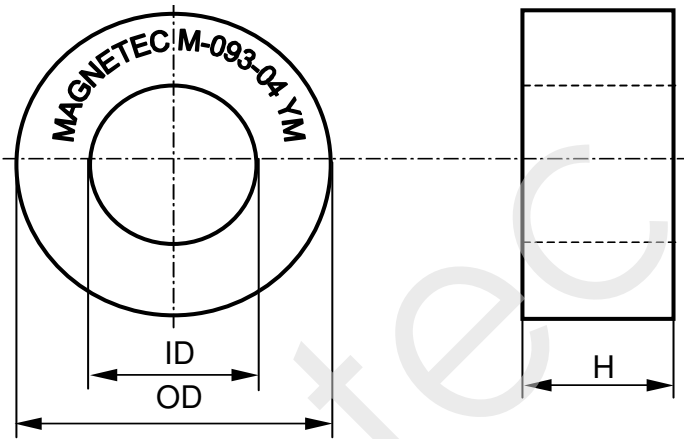


CONFIDENTIAL - Reproduction, publication and dissemination of this publication, enclosures hereto and the information contained therein is prohibited without MAGNETEC's prior written consent.

Client:	MAGNETEC	Magnetec P/N:	M-093		
Client's P/N:	/	PS Index:	04	PS Revision:	06
Subject:	EMC Wandler				

1. Mechanical Outline	
Nominal equivalent round core: 46 x 30,5 x 20 Finished product dimensions: OD ≤ 47,5 ID ≥ 28,0 H ≤ 22,5 [dimensions] = mm	

2. Core data (nominal values)			
Core material:	NANOPERM®	$L_{Fe} = 11,85 \text{ cm}$	$A_{Fe} = 1,24 \text{ cm}^2$
Permeability level:	> 60 000	@ frequency 10 kHz	@ H peak 3,6 mA/cm

3. Inspection values (at room temperature, unless otherwise stated)			
Measured value	Measurement limits	Frequency	leff x N [mA x turn]
AL [μH]	80 - NA	10 kHz	30,0

4. Core finishing	
Type:	Epoxy coated
Marking:	MAGNETEC M-093-04 YM
Packaging:	15 pcs. per layer; 3 layers per carton box; PU = 45 pcs.

5. Comments
Visit http://www.magnetec.de/fileadmin/pdf/pb_ds.pdf for further information.

Index / Revision	Alteration	Date
02 / 01	Product Specification	05.04.2002
03 / 02	AL ≥ 80,0 μH	12.06.2003
03 / 03	PU = 60 pcs.	27.04.2004
04 / 04	OD ≤ 47.5 mm	05.08.2004
04 / 05	Supplementary stamped paper; New format	07.07.2006
04 / 06	PU = 45 pcs.	01.12.2011

Created:	Zs. Eperjesi 01.12.2011	Approved (Techn):	F. Zámboreszky 01.12.2011	Approved (Quality):	J. Gulyás 02.12.2011	Released:	F. Rauscher 02.12.2011
-----------------	----------------------------	--------------------------	------------------------------	----------------------------	-------------------------	------------------	---------------------------

CONFIDENTIAL - Reproduction, publication and dissemination of this publication, enclosures hereto and the information contained therein is prohibited without MAGNETEC's prior written consent. Disclosing the specification to third parties or using its content without written permission from MAGNETEC is strictly forbidden and every offender is liable to pay the corresponding damages.