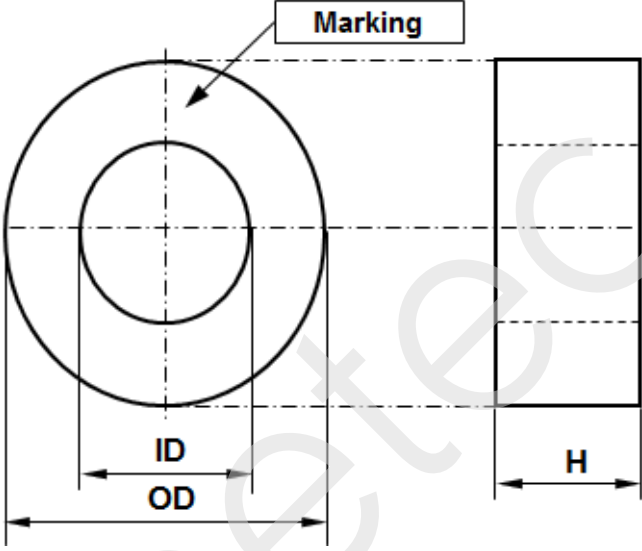


CONFIDENTIAL - Reproduction, publication and dissemination of this publication, enclosures hereto and the information contained therein is prohibited without MAGNETEC's prior written consent.

Client:	MAGNETEC	Magnetec P/N:	M-1011		
Client's P/N:	-	PS Index:	01	PS Revision:	01
Subject:	EMC Wandler				

1. Mechanical Outline	
Nominal equivalent round core: 50 x 40 x 20 Finished product dimensions: OD ≤ 52,6 ID ≥ 36,6 H ≤ 22,9 [dimensions] = mm	

2. Core data (nominal values)			
Core material:	NANOPERM®	$L_{Fe} = 13,9 \text{ cm}$	$A_{Fe} = 0,72 \text{ cm}^2$
Permeability level:	30.000	@ frequency 10 kHz	@ H peak 3 mA/cm

3. Inspection values (at room temperature, unless otherwise stated)			
Measured value	Measurement limits	Frequency	$l_{eff} \times N$ [mA x turn]
AL [μH]	13,7 - 27,3	10 kHz	29,5
AL [μH]	9,1 - NA	100 kHz	29,5

4. Core finishing	
Type:	Glued into case
Marking:	MAGNETEC M-1011-01 YM (YM = Year/Month), acc. to IEC 60062 6.1.1
Packaging:	15 pcs. per layer; 4 layers per carton box; PU = 60 pcs.

5. Comments
Visit http://www.magnetec.de/fileadmin/pdf/pb_ds.pdf for further information.

Index / Revision	Alteration	Date
01 / 01	First issue	07.07.2016

Created:	M. Pádár 07.07.2016	Approved (Techn):	Z. Palánki 02.08.2016	Approved (Quality):	L. Ferencz 02.08.2016	Released:	T. Trupp 02.08.2016
-----------------	------------------------	--------------------------	--------------------------	----------------------------	--------------------------	------------------	------------------------

CONFIDENTIAL - Reproduction, publication and dissemination of this publication, enclosures hereto and the information contained therein is prohibited without MAGNETEC's prior written consent. Disclosing the specification to third parties or using its content without written permission from MAGNETEC is strictly forbidden and every offender is liable to pay the corresponding damages.