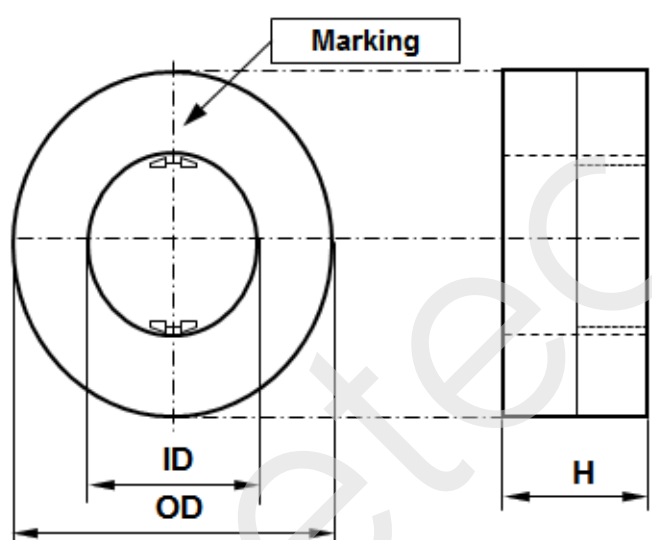


CONFIDENTIAL - Reproduction, publication and dissemination of this publication, enclosures hereto and the information contained therein is prohibited without MAGNETEC 's prior written consent.

Client:	MAGNETEC	Magnetec P/N:	M-1016	
Client's P/N:	/	PS Index:	01	PS Revision: 02
Subject:	EMC Wandler			

1. Mechanical Outline	
<p>Nominal equivalent round core:</p> <p>30 x 20 x 10</p> <p>Finished product dimensions:</p> <p>OD ≤ 32,7 ID ≥ 17,8 H ≤ 12,6</p> <p>[dimensions] = mm</p>	

2. Core data (nominal values)			
Core material:	NANOPERM®	$L_{Fe} = 7,75 \text{ cm}$	$A_{Fe} = 0,38 \text{ cm}^2$
Permeability level:	90.000	@ frequency 10 kHz	@ H peak 3,65 mA/cm

3. Inspection values (at room temperature, unless otherwise stated)			
Measured value	Measurement limits	Frequency	I _{eff} x N [mA x turn]
AL [μH]	40 - 80	10 kHz	20
AL [μH]	10 - NA	100 kHz	20

4. Core finishing	
Type:	Cased
Marking:	MAGNETEC M-1016-01 YM (YM = Year/Month), acc. to IEC 60062 6.1.1
Packaging:	35 pcs. per layer; 6 layers per carton box; PU = 210 pcs.

5. Comments
Visit http://www.magnetec.de/fileadmin/pdf/pb_ds.pdf for further information.

Index / Revision	Alteration	Date
01 / 01	First issue	09.08.2016
01 / 02	Marking correction	16.09.2016

Created:	Z. Palánki 16.09.2016	Approved (Techn):	F. Zámbořszky 20.09.2016	Approved (Quality):	L. Ferencz 20.09.2016	Released:	P. Seiz 22.09.2016
-----------------	--------------------------	--------------------------	-----------------------------	----------------------------	--------------------------	------------------	-----------------------

CONFIDENTIAL - Reproduction, publication and dissemination of this publication, enclosures hereto and the information contained therein is prohibited without MAGNETEC's prior written consent. Disclosing the specification to third parties or using its content without written permission from MAGNETEC is strictly forbidden and every offender is liable to pay the corresponding damages.