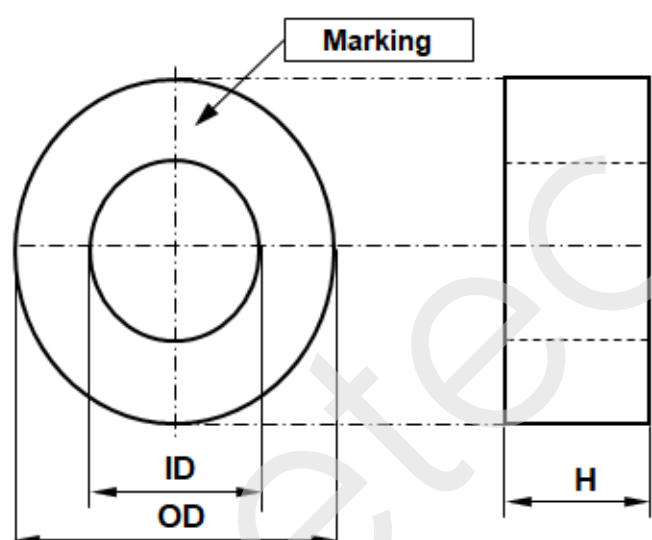


CONFIDENTIAL - Reproduction, publication and dissemination of this publication, enclosures hereto and the information contained therein is prohibited without MAGNETEC's prior written consent.

Client:	MAGNETEC	Magnetec P/N:	M-1025		
Client's P/N:		PS Index:	03	PS Revision:	01
Subject:	CT Wandler				

1. Mechanical Outline	
Nominal equivalent round core: 101 x 78 x 16 Finished product dimensions: OD ≤ 103,5 ID ≥ 75,5 H ≤ 18 [dimensions] = mm	

2. Core data (nominal values)			
Core material:	NANOPERM®	$L_{Fe} = 27,85 \text{ cm}$	$A_{Fe} = 1,35 \text{ cm}^2$
Permeability level:	25000	@ frequency 50 Hz	@ H peak 10 mA/cm

3. Inspection values (at room temperature, unless otherwise stated)			
Measured value	Measurement limits	Frequency	I _{eff} x N [mA x turn]
AL [μH]	12,5 - 22	50 Hz	198

4. Core finishing	
Type:	Epoxy coated and foil bandaged
Marking:	MAGNETEC M-1025-03 YM (YM = Year/Month), acc. to IEC 60062 6.1.1
Packaging:	pcs. per layer; layers per carton box; PU = pcs.

5. Comments
Visit http://www.magnetec.de/fileadmin/pdf/pb_ds.pdf for further information.

Index / Revision	Alteration	Date
03 / 01	First issue	08.10.2018

Created:	M. Pádár 08.10.2018	Approved (Techn):	Z. Makovinyi 2018. 10. 10	Approved (Quality):	R. Montvai 09.11.2018	Released:	F. Zámboorszky 13.11.2018
-----------------	------------------------	--------------------------	------------------------------	----------------------------	--------------------------	------------------	------------------------------

CONFIDENTIAL - Reproduction, publication and dissemination of this publication, enclosures hereto and the information contained therein is prohibited without MAGNETEC's prior written consent. Disclosing the specification to third parties or using its content without written permission from MAGNETEC is strictly forbidden and every offender is liable to pay the corresponding damages.