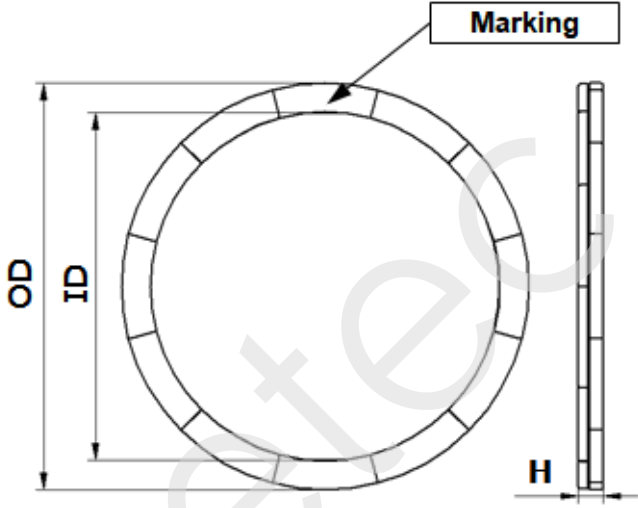


CONFIDENTIAL - Reproduction, publication and dissemination of this publication, enclosures hereto and the information contained therein is prohibited without MAGNETEC 's prior written consent.

Client:	MAGNETEC	Magnetec P/N:	M-1026		
Client's P/N:	/	PS Index:	01	PS Revision:	02
Subject:	EMC Wandler				

1. Mechanical Outline	
Nominal equivalent round core: 570 x 520 x 30 Finished product dimensions: OD ≤ 592 ID ≥ 503 H ≤ 38,0 [dimensions] = mm	

2. Core data (nominal values)			
Core material:	NANOPERM®	$L_{Fe} = 171,1 \text{ cm}$	$A_{Fe} = 5,12 \text{ cm}^2$
Permeability level:	30 000	@ frequency 10 kHz	@ H peak 0,85 mA/cm

3. Inspection values (at room temperature, unless otherwise stated)			
Measured value	Measurement limits	Frequency	I _{eff} x N [mA x turn]
AL [μH]	8,44 - 16,89	10 kHz	100

4. Core finishing	
Type:	Glued into case
Marking:	MAGNETEC M-1026-01 YM (YM = Year/Month), acc. to IEC 60062:2004 6.1.1
Packaging:	1 pcs. per layer; 1 layers per carton box; PU = 1 pcs.

5. Comments
Visit http://www.magnetec.de/fileadmin/pdf/pb_ds.pdf for further information.

Index / Revision	Alteration	Date
01 / 01	First issue	03.08.2022
01/02	Packaging change	19.01.2023

Created:	P. Kárpáti 19.01.2023	Approved (Techn):	V. Kiss 22.02.2023.	Approved (Quality):	D. Parragi 09.03.2023	Released:	B. Kessler 13.03.2023
-----------------	--------------------------	--------------------------	------------------------	----------------------------	--------------------------	------------------	--------------------------

CONFIDENTIAL - Reproduction, publication and dissemination of this publication, enclosures hereto and the information contained therein is prohibited without MAGNETEC's prior written consent. Disclosing the specification to third parties or using its content without written permission from MAGNETEC is strictly forbidden and every offender is liable to pay the corresponding damages.