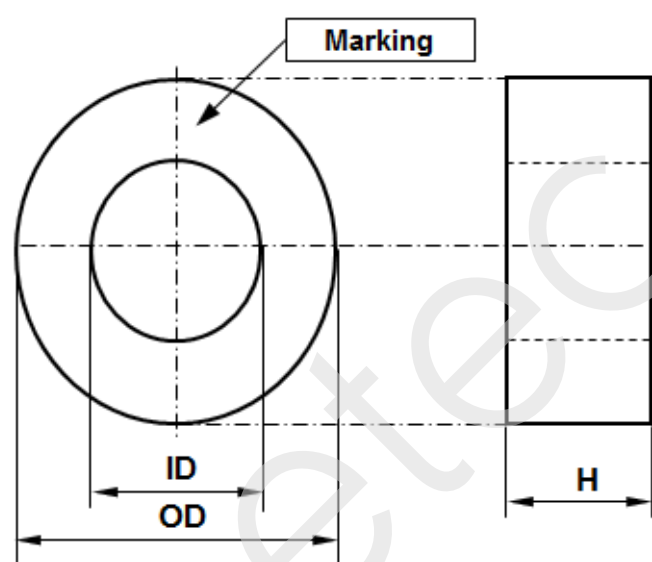


CONFIDENTIAL - Reproduction, publication and dissemination of this publication, enclosures hereto and the information contained therein is prohibited without MAGNETEC's prior written consent.

Client:	MAGNETEC	Magnetec P/N:	M-104		
Client's P/N:		PS Index:	05	PS Revision:	05
Subject:	EMC Wandler				

1. Mechanical Outline	
Nominal equivalent round core: 16 x 10 x 6 Finished product dimensions: OD ≤ 18,0 ID ≥ 8,0 H ≤ 8,4 [dimensions] = mm	

2. Core data (nominal values)			
Core material:	NANOPERM®	$L_{Fe} = 4,01 \text{ cm}$	$A_{Fe} = 0,126 \text{ cm}^2$
Permeability level:	ca. 30 000	@ frequency 10 kHz	@ H peak 3,53 mA/cm

3. Inspection values (at room temperature, unless otherwise stated)			
Measured value	Measurement limits	Frequency	leff x N [mA x turn]
AL [μH]	7,9 - 15,8	10 kHz	10
AL [μH]	3,9 - NA	100 kHz	10

4. Core finishing	
Type:	Cased
Marking:	MAGNETEC M-104-05 YM (YM = Year/Month), acc. to IEC 60062 6.1.1
Packaging:	110 pcs. per layer; 9 layers per carton box; PU = 990 pcs.

5. Comments
Visit http://www.magnetec.de/fileadmin/pdf/pb_ds.pdf for further information.

Index / Revision	Alteration	Date
01 / 00	Product Specification / Case MT-014	12.07.2001
02 / 01	AL = 7,9 - 15,8 μH / PU = 230 pcs.	28.04.2003
03 / 02	Case MT-026 / PU = 990 pcs. / RoHS compliance	20.09.2005
04 / 03	Finished dimensions, nominal permeability and Magnetec A /N changed	19.03.2013
04 / 04	100kHz lower limit defined	10.11.2014
05 / 05	Change to blue case	25.07.2016

Created:	M. Pádár 25.07.2016	Approved (Techn):	F. Zámbořszky 01.08.2016	Approved (Quality):	L. Ferencz 01.08.2016	Released:	P. Seiz 01.08.2016
-----------------	------------------------	--------------------------	-----------------------------	----------------------------	--------------------------	------------------	-----------------------

CONFIDENTIAL - Reproduction, publication and dissemination of this publication, enclosures hereto and the information contained therein is prohibited without MAGNETEC's prior written consent. Disclosing the specification to third parties or using its content without written permission from MAGNETEC is strictly forbidden and every offender is liable to pay the corresponding damages.