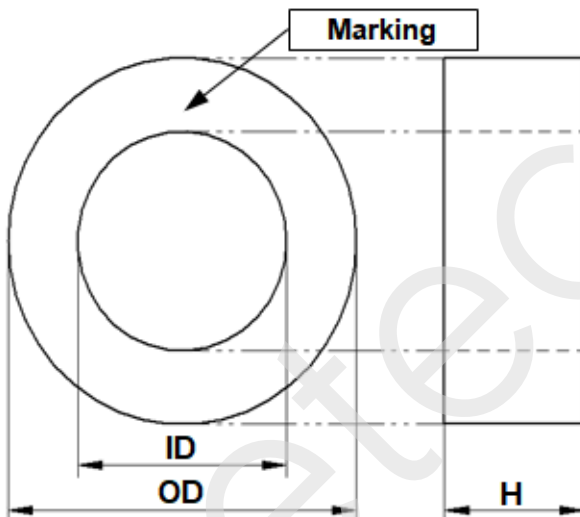


CONFIDENTIAL - Reproduction, publication and dissemination of this publication, enclosures hereto and the information contained therein is prohibited without MAGNETEC's prior written consent.

Client:	MAGNETEC	Magnetec P/N:	M-1040		
Client's P/N:	/	PS Index:	01	PS Revision:	01
Subject:	CT Wandler				

1. Mechanical Outline	
Nominal equivalent round core: 49 x 22 x 6 Finished product dimensions: OD ≤ 50,4 ID ≥ 19,5 H ≤ 8,1 [dimensions] = mm	

2. Core data (nominal values)			
Core material:	NANOPERM®	$L_{Fe} = 10,6 \text{ cm}$	$A_{Fe} = 0,62 \text{ cm}^2$
Permeability level:	5 000	@ frequency 1 kHz	@ H peak 25 mA/cm

3. Inspection values (at room temperature, unless otherwise stated)			
Measured value	Measurement limits	Frequency	$I_{eff} \times N$ [mA x turn]
AL [μH]	2,92 - 4,38	1 kHz	189

4. Core finishing	
Type:	Epoxy coated
Marking:	MAGNETEC M-1040-01 YM YM = Year/Month acc. to IEC 60062:2004 6.1.1
Packaging:	15 pcs. per layer; 9 layers per carton box; PU = 135 pcs.

5. Comments
Visit http://www.magnetec.de/fileadmin/pdf/pb_ds.pdf for further information.

Index / Revision	Alteration	Date
01 / 01	First issue	22.07.2021

Created:	Z. Palánki 22.07.2021	Approved (Techn):	F. Zámboreszky 02.09.2021	Approved (Quality):	Sz. Ilcsik 23.07.2021	Released:	N. Wagner 03.09.2021
-----------------	--------------------------	--------------------------	------------------------------	----------------------------	--------------------------	------------------	-------------------------

CONFIDENTIAL - Reproduction, publication and dissemination of this publication, enclosures hereto and the information contained therein is prohibited without MAGNETEC's prior written consent. Disclosing the specification to third parties or using its content without written permission from MAGNETEC is strictly forbidden and every offender is liable to pay the corresponding damages.