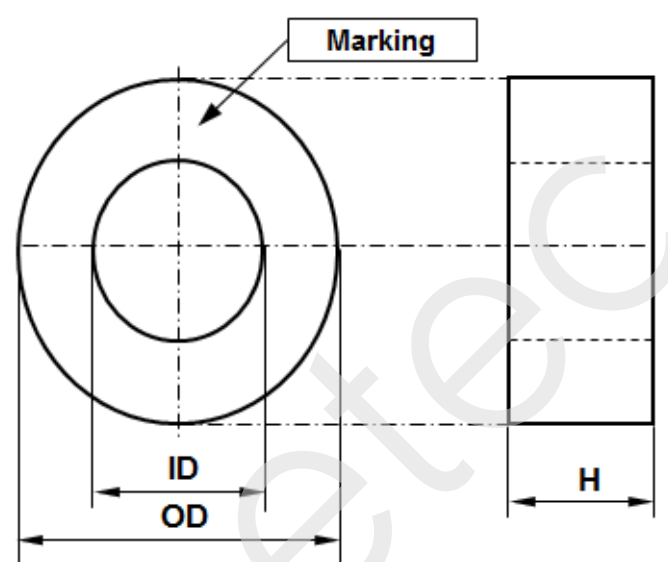


CONFIDENTIAL - Reproduction, publication and dissemination of this publication, enclosures hereto and the information contained therein is prohibited without MAGNETEC's prior written consent.

Client:	MAGNETEC	Magnetec P/N:	M-1044		
Client's P/N:		PS Index:	01	PS Revision:	01
Subject:	EMC Wandler				

1. Mechanical Outline	
Nominal equivalent round core: 45 x 30 x 20 Finished product dimensions: OD \leq 49,3 ID \geq 25,8 H \leq 24,2 [dimensions] = mm	

2. Core data (nominal values)			
Core material:	NANOPERM®	$L_{Fe} = 11,6 \text{ cm}$	$A_{Fe} = 1,09 \text{ cm}^2$
Permeability level:	90 000	@ frequency 10 kHz	@ H peak 3 mA/cm

3. Inspection values (at room temperature, unless otherwise stated)			
Measured value	Measurement limits	Frequency	leff x N [mA x turn]
AL [μH]	74 148	10 kHz	24,5
AL [μH]	23,6 - NA	100 kHz	24,5

4. Core finishing	
Type:	Epoxy coated and foil bandaged
Marking:	MAGNETEC M- 1044-01 YM (YM = Year/Month), acc. to IEC 60062 6.1.1
Packaging:	15 pcs. per layer; 3 layers per carton box; PU = 45 pcs.

5. Comments
Visit http://www.magnetec.de/fileadmin/pdf/pb_ds.pdf for further information.

Index / Revision	Alteration	Date
01 / 01	First issue	2016.06.23.

Created:	M. Pádár 2016.06.23	Approved (Techn):	F. Zámbořszky	Approved (Quality):	L. Ferencz	Released:	T. Trupp
-----------------	------------------------	--------------------------	---------------	----------------------------	------------	------------------	----------

CONFIDENTIAL - Reproduction, publication and dissemination of this publication, enclosures hereto and the information contained therein is prohibited without MAGNETEC's prior written consent. Disclosing the specification to third parties or using its content without written permission from MAGNETEC is strictly forbidden and every offender is liable to pay the corresponding damages.