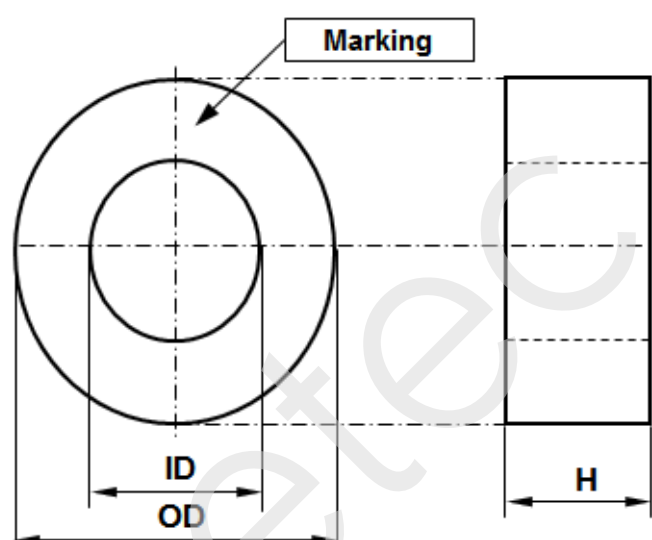


CONFIDENTIAL - Reproduction, publication and dissemination of this publication, enclosures hereto and the information contained therein is prohibited without MAGNETEC's prior written consent.

Client:	MAGNETEC	Magnetec P/N:	M-1056		
Client's P/N:	/	PS Index:	01	PS Revision:	01
Subject:	EMC Wandler				

1. Mechanical Outline	
Nominal equivalent round core: 160 x 130 x 30 Finished product dimensions: OD ≤ 166 ID ≥ 122 H ≤ 34 [dimensions] = mm	

2. Core data (nominal values)			
Core material:	NANOPERM®	$L_{Fe} = 45,08 \text{ cm}$	$A_{Fe} = 3,28 \text{ cm}^2$
Permeability level:	12 000	@ frequency 10 kHz	@ H peak 3 mA/cm

3. Inspection values (at room temperature, unless otherwise stated)			
Measured value	Measurement limits	Frequency	$I_{eff} \times N$ [mA x turn]
AL [μH]	7,7 - 15,4	10 kHz	96
AL [μH]	5,7 - NA	100 kHz	96

4. Core finishing	
Type:	Cased
Marking:	MAGNETEC M-1056-01 YM (YM = Year/Month), acc. to IEC 60062 6.1.1
Packaging:	1 pcs. per layer; 5 layers per carton box; PU = 5 pcs.

5. Comments
Visit http://www.magnetec.de/fileadmin/pdf/pb_ds.pdf for further information.

Index / Revision	Alteration	Date
01 / 01	First issue	09.06.2016

Created:	Zs. Sándor 09.06.2016	Approved (Techn):	Z. Palánki 02.08.2016	Approved (Quality):	L. Ferencz 02.08.2016	Released:	T. Trupp 02.08.2016
-----------------	--------------------------	--------------------------	--------------------------	----------------------------	--------------------------	------------------	------------------------

CONFIDENTIAL - Reproduction, publication and dissemination of this publication, enclosures hereto and the information contained therein is prohibited without MAGNETEC's prior written consent. Disclosing the specification to third parties or using its content without written permission from MAGNETEC is strictly forbidden and every offender is liable to pay the corresponding damages.