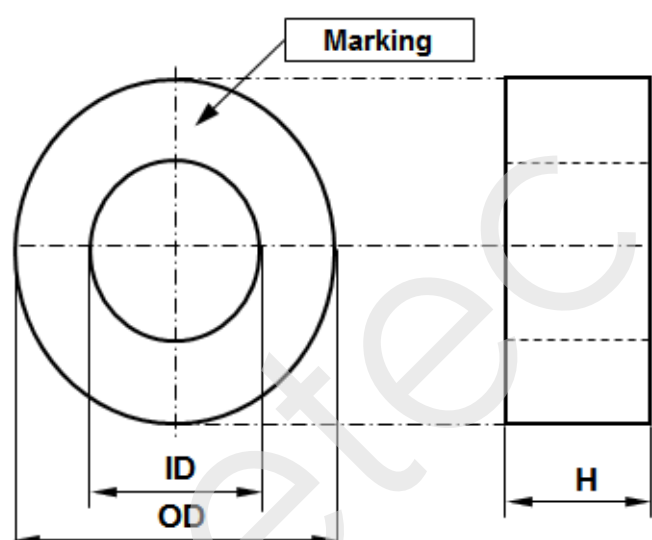


CONFIDENTIAL - Reproduction, publication and dissemination of this publication, enclosures hereto and the information contained therein is prohibited without MAGNETEC 's prior written consent.

<b>Client:</b>	<b>MAGNETEC</b>	<b>Magnetec P/N:</b>	<b>M-1059</b>		
<b>Client's P/N:</b>	/	<b>PS Index:</b>	<b>01</b>	<b>PS Revision:</b>	<b>02</b>
<b>Subject:</b>	<b>WANDLER</b>				

1. Mechanical Outline	
Nominal equivalent round core:  <b>20 x 12,5 x 8</b>  Finished product dimensions:  OD ≤ <b>22,5</b> ID ≥ <b>10,3</b> H ≤ <b>10,1</b>  [dimensions] = mm	

2. Core data (nominal values)			
Core material:	<b>NANOPERM®</b>	$L_{Fe} = 5,11 \text{ cm}$	$A_{Fe} = 0,24 \text{ cm}^2$
Permeability level:	<b>80 000</b>	@ frequency <b>10 kHz</b>	@ H peak <b>2,82 mA/cm</b>

3. Inspection values (at room temperature, unless otherwise stated)			
Measured value	Measurement limits	Frequency	$I_{eff} \times N$ [mA x turn]
<b>AL [μH]</b>	<b>33,0 - 67,0</b>	<b>10 kHz</b>	<b>10</b>
<b>AL [μH]</b>	<b>8,9 - NA</b>	<b>100 kHz</b>	<b>10</b>

4. Core finishing	
Type:	<b>Cased</b>
Marking:	<b>MAGNETEC M-1059-01 YM (YM = Year/Month), acc. to IEC 60062:2004 6.1.1</b>
Packaging:	<b>75 pcs. per layer; 7 layers per carton box; PU = 525 pcs.</b>

5. Comments
Visit <a href="http://www.magnetec.de/fileadmin/pdf/pb_ds.pdf">http://www.magnetec.de/fileadmin/pdf/pb_ds.pdf</a> for further information.

Index / Revision	Alteration	Date
01 / 01	First issue	29.02.2016
01 / 02	Marking correction	18.10.2022

<b>Created:</b>	Z. Palánki 18.10.2022	<b>Approved (Techn):</b>	Z. Kiss 18.10.2022	<b>Approved (Quality):</b>	D. Parragi 19.10.2022	<b>Released:</b>	J. Mesin 03.11.2022
-----------------	--------------------------	--------------------------	-----------------------	----------------------------	--------------------------	------------------	------------------------

CONFIDENTIAL - Reproduction, publication and dissemination of this publication, enclosures hereto and the information contained therein is prohibited without MAGNETEC's prior written consent. Disclosing the specification to third parties or using its content without written permission from MAGNETEC is strictly forbidden and every offender is liable to pay the corresponding damages .