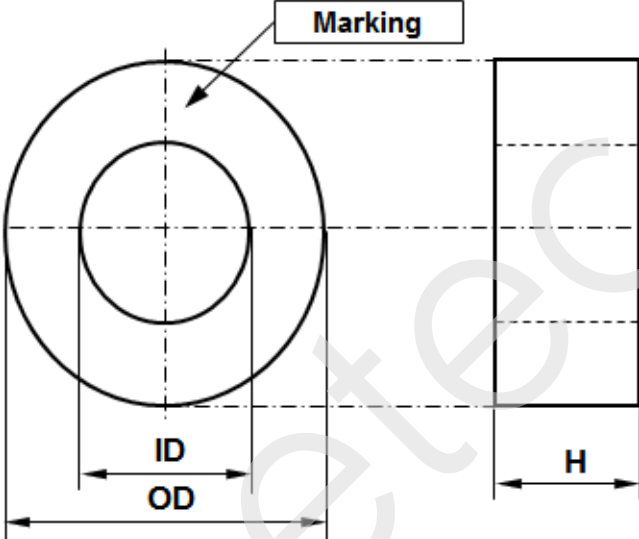


CONFIDENTIAL - Reproduction, publication and dissemination of this publication, enclosures hereto and the information contained therein is prohibited without MAGNETEC's prior written consent.

Client:	MAGNETEC	Magnetec P/N:	M-1060		
Client's P/N:	/	PS Index:	01	PS Revision:	01
Subject:	EMC Wandler				

1. Mechanical Outline	
Nominal equivalent round core: 16 x 10 x 6 Finished product dimensions: OD ≤ 18 ID ≥ 8 H ≤ 8,2 [dimensions] = mm	

2. Core data (nominal values)			
Core material:	NANOPERM®	$L_{Fe} = 4,0 \text{ cm}$	$A_{Fe} = 0,12 \text{ cm}^2$
Permeability level:		@ frequency	@ H peak
	100 000	10 kHz	3,53 mA/cm

3. Inspection values (at room temperature, unless otherwise stated)			
Measured value	Measurement limits	Frequency	$I_{eff} \times N$ [mA x turn]
AL [μH]	30 - 60	10 kHz	10
AL [μH]	6,3 - NA	100 kHz	10

4. Core finishing	
Type:	Cased
Marking:	MAGNETEC M-1060-01 YM (YM = Year/Month), acc. to IEC 60062 6.1.1
Packaging:	110 pcs. per layer; 9 layers per carton box; PU = 990 pcs.

5. Comments
Visit http://www.magnetec.de/fileadmin/pdf/pb_ds.pdf for further information.

Index / Revision	Alteration	Date
01 / 01	First issue	12.08.2016

Created:	Z. Palánki 12.08.2016	Approved (Techn):	F. Záborszky 12.09.2016	Approved (Quality):	L. Ferencz 12.09.2016	Released:	P. Seiz 12.09.2016
-----------------	--------------------------	--------------------------	----------------------------	----------------------------	--------------------------	------------------	-----------------------

CONFIDENTIAL - Reproduction, publication and dissemination of this publication, enclosures hereto and the information contained therein is prohibited without MAGNETEC's prior written consent. Disclosing the specification to third parties or using its content without written permission from MAGNETEC is strictly forbidden and every offender is liable to pay the corresponding damages.