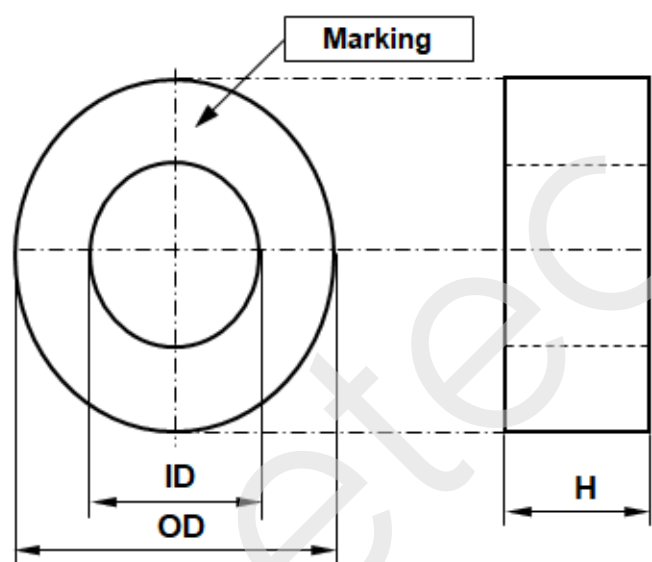


CONFIDENTIAL - Reproduction, publication and dissemination of this publication, enclosures hereto and the information contained therein is prohibited without MAGNETEC's prior written consent.

Client:	Magnetec	Magnetec P/N:	M-1108		
Client's P/N:	-	PS Index:	01	PS Revision:	01
Subject:	CT Wandler				

1. Mechanical Outline	
Nominal equivalent round core: 46 x 33,6 x 17 Finished product dimensions: OD ≤ 47,5 ID ≥ 32 H ≤ 18,5 [dimensions] = mm	

2. Core data (nominal values)			
Core material:	NANOPERM®	$L_{Fe} = 12,25 \text{ cm}$	$A_{Fe} = 0,73 \text{ cm}^2$
Permeability level:	~40000	@ frequency 50 Hz	@ H peak 2 mA/cm

3. Inspection values (at room temperature, unless otherwise stated)			
Measured value	Measurement limits	Frequency	$l_{eff} \times N$ [mA x turn]
U1avg [mV/turn]	0 - 100	50 Hz	34.6
U2avg [mV/turn]	1 - 1,94	50 Hz	173
U3avg [mV/turn]	0 - 100	50 Hz	691
$(I_r \cdot U1_{avg}) / (34.6 \cdot U2_{avg})$	0,65 - 1,35		
$(I_r \cdot U3_{avg}) / (691 \cdot U2_{avg})$	0,65 - 1,35		

4. Core finishing	
Type:	Epoxy coated
Marking:	MAGNETEC M-1108 -01 YM (YM = Year/Month), acc. to IEC 60062 6.1.1
Packaging:	15 pcs. per layer; 4 layers per carton box; PU = 60 pcs.

5. Comments	
$I_r = 173 \text{ mA}$	
Visit http://www.magnetec.de/fileadmin/pdf/pb_ds.pdf for further information.	

Index / Revision	Alteration	Date
01 / 01	First Issue	2020.08.11

Created:	I. Váradi 11.08.2020	Approved (Techn):	F. Zámbořszky 13.01.2021	Approved (Quality):	Sz. Ilcsik 08.01.2021	Released:	D. Tóth 15.01.2021
-----------------	-------------------------	--------------------------	-----------------------------	----------------------------	--------------------------	------------------	-----------------------

CONFIDENTIAL - Reproduction, publication and dissemination of this publication, enclosures hereto and the information contained therein is prohibited without MAGNETEC's prior written consent. Disclosing the specification to third parties or using its content without written permission from MAGNETEC is strictly forbidden and every offender is liable to pay the corresponding damages.