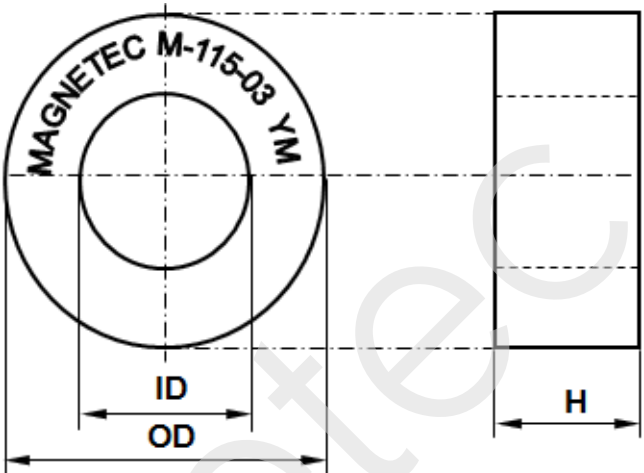


CONFIDENTIAL - Reproduction, publication and dissemination of this publication, enclosures hereto and the information contained therein is prohibited without MAGNETEC's prior written consent.

Client:	MAGNETEC GmbH	Magnetec P/N:	M-115		
Client's P/N:	/	PS Index:	03	PS Revision:	04
Subject:	EMC Wandler				

1. Mechanical Outline	
Nominal equivalent round core: 130 x 100 x 30 Finished product dimensions: OD \leq 135,0 ID \geq 94,0 H \leq 34,0 [dimensions] = mm	

2. Core data (nominal values)			
Core material:	NANOPERM®	$L_{Fe} = 35,92 \text{ cm}$	$A_{Fe} = 3,33 \text{ cm}^2$
Permeability level:	~30 000	@ frequency 10 kHz	@ H peak 3,1 mA/cm

3. Inspection values (at room temperature, unless otherwise stated)			
Measured value	Measurement limits	Frequency	leff x N [mA x turn]
AL [μH]	24,6 - 52,9	10 kHz	80
AL [μH]	14,64 - NA	100 kHz	80

4. Core finishing	
Type:	Cased
Marking:	MAGNETEC M-115-03 YM (YM = Year/Month), acc. to IEC 60062 6.1.1
Packaging:	2 pcs. per layer; 3 layers per carton box; PU = 6 pcs.

5. Comments
Visit http://www.magnetec.de/fileadmin/pdf/pb_ds.pdf for further information.

Index / Revision	Alteration	Date
03 / 01	Product spezification	24.06.2005
03 / 02	New format	04.09.2007
03 / 03	100kHz lower limit defined	10.05.2014
03 / 04	100 kHz lower limit increased	10.11.2018

Created:	Z. Braxátor 10.11.2018	Approved (Techn):	F. Záborszky	Approved (Quality):	R. Montvai 19.11.2018	Released:	P. Seiz 11.12.2018
-----------------	---------------------------	--------------------------	--------------	----------------------------	--------------------------	------------------	-----------------------

CONFIDENTIAL - Reproduction, publication and dissemination of this publication, enclosures hereto and the information contained therein is prohibited without MAGNETEC's prior written consent. Disclosing the specification to third parties or using its content without written permission from MAGNETEC is strictly forbidden and every offender is liable to pay the corresponding damages.