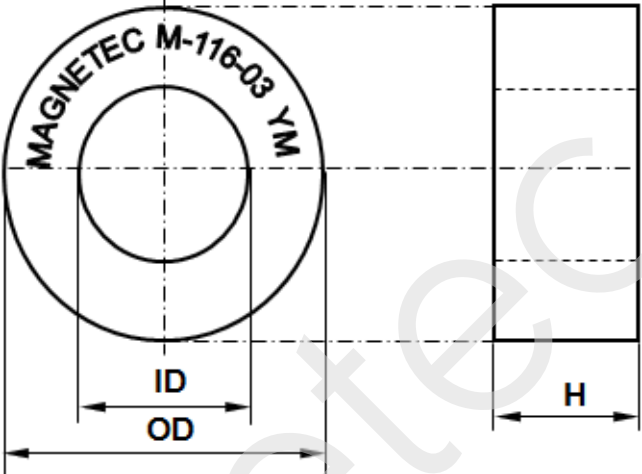


CONFIDENTIAL - Reproduction, publication and dissemination of this publication, enclosures hereto and the information contained therein is prohibited without MAGNETEC's prior written consent.

Client:	MAGNETEC GmbH	Magnetec P/N:	M-116		
Client's P/N:	/	PS Index:	03	PS Revision:	07
Subject:	EMC Wandler				

1. Mechanical Outline	
Nominal equivalent round core: 160 x 130 x 30 Finished product dimensions: OD ≤ 165,0 ID ≥ 123,0 H ≤ 35,0 [dimensions] = mm	

2. Core data (nominal values)			
Core material:	NANOPERM®	$L_{Fe} = 45,39 \text{ cm}$	$A_{Fe} = 3,24 \text{ cm}^2$
Permeability level:	~30 000	@ frequency 10 kHz	@ H peak 3,12 mA/cm

3. Inspection values (at room temperature, unless otherwise stated)			
Measured value	Measurement limits	Frequency	leff x N [mA x turn]
AL [μH]	20,9 - 45,0	10 kHz	100
AL [μH]	12,6 - NA	100 kHz	100

4. Core finishing	
Type:	Cased
Marking:	MAGNETEC M-116-03 YM (YM = Year/Month), acc. to IEC 60062 6.1.1
Packaging:	1 pcs. per layer; 5 layers per carton box; PU = 5 pcs.

5. Comments	
Visit http://www.magnetec.de/fileadmin/pdf/pb_ds.pdf for further information.	

Index / Revision	Alteration	Date
03 / 01	Moulded case	10.06.2005
03 / 02	New form	02.03.2007
03 / 03	PU = 5 pcs	30.08.2007
03 / 04	OD ≤ 165,0 mm, ID ≥ 123,0mm, H ≤ 34,0 mm	25.09.2008
03 / 05	100kHz lower limit defined	10.05.2014
03 / 06	Increase 100kHz lower limit by 20%	25.04.2018
03 / 07	Change the dimension of height	26.02.2019

Created:	Z. Braxátor 26.02.2019	Approved (Techn):	F. Záborszky 10.04.2019	Approved (Quality):	G. Zsák 10.04.2019	Released:	B. Kessler 12.04.2019
-----------------	---------------------------	--------------------------	----------------------------	----------------------------	-----------------------	------------------	--------------------------

CONFIDENTIAL - Reproduction, publication and dissemination of this publication, enclosures hereto and the information contained therein is prohibited without MAGNETEC's prior written consent. Disclosing the specification to third parties or using its content without written permission from MAGNETEC is strictly forbidden and every offender is liable to pay the corresponding damages.