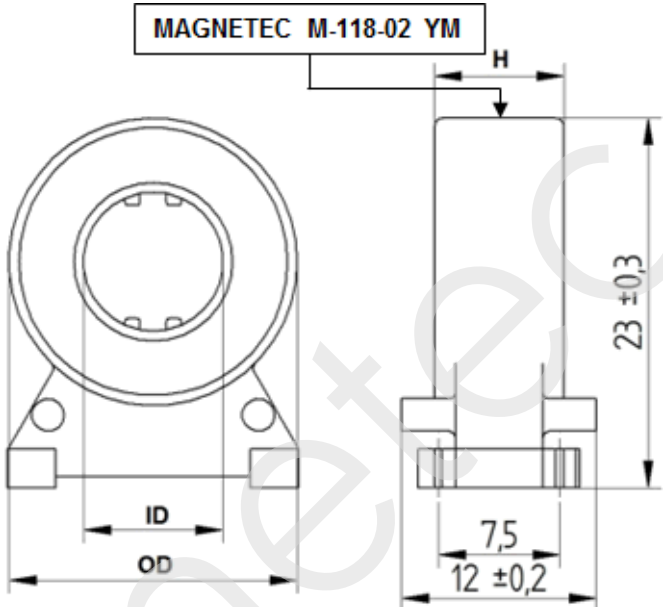


CONFIDENTIAL - Reproduction, publication and dissemination of this publication, enclosures hereto and the information contained therein is prohibited without MAGNETEC's prior written consent.

Client:	MAGNETEC	Magnetec P/N:	M-118	
Client's P/N:		PS Index:	02	PS Revision: 05
Subject:	EMC Wandler			

1. Mechanical Outline	
<p>Nominal equivalent round core:</p> <p>16 x 10,2 x 6</p> <p>Finished product dimensions:</p> <p>OD ≤ 18,2 ID ≥ 8,4 H ≤ 8,2</p> <p>[dimensions] = mm</p>	

2. Core data (nominal values)			
Core material:	NANOPERM®	L _{Fe} = 4,05 cm	A _{Fe} = 0,13 cm²
Permeability level:	ca. 90.000	@ frequency 10 kHz	@ H peak 3,49 mA/cm

3. Inspection values (at room temperature, unless otherwise stated)			
Measured value	Measurement limits	Frequency	I _{eff} x N [mA x turn]
AL [μH]	28,4 - 56,9	10 kHz	10
AL [μH]	7,1 - NA	100 kHz	10

4. Core finishing	
Type:	Cased
Marking:	MAGNETEC M-118-02 YM (YM = Year/Month), acc. to IEC 60062 6.1.1
Packaging:	60 pcs. per layer; 7 layers per carton box; PU = 420 pcs.

5. Comments	
Visit http://www.magnetec.de/fileadmin/pdf/pb_ds.pdf for further information.	

Index / Revision	Alteration	Date
01 / 01	Product Specification	13.09.2001
02 / 01	Core di = 10,2 mm	09.10.2003
02 / 02	Da ≤ 18,0 mm, Di ≥ 8,5 mm	21.09.2005
02 / 03	Marking position and dimensions changed	17.10.2012
02 / 04	Packaging change	29.11.2013
02 / 05	100kHz lower limit defined	11.11.2014

Created:	Z. Palánki 11.11.2014	Approved (Techn):	F. Zámbořský 12.01.2015	Approved (Quality):	J. Gulyás 12.01.2015	Released:	T. Trupp 12.01.2015
-----------------	--------------------------	--------------------------	----------------------------	----------------------------	-------------------------	------------------	------------------------

CONFIDENTIAL - Reproduction, publication and dissemination of this publication, enclosures hereto and the information contained therein is prohibited without MAGNETEC's prior written consent. Disclosing the specification to third parties or using its content without written permission from MAGNETEC is strictly forbidden and every offender is liable to pay the corresponding damages.