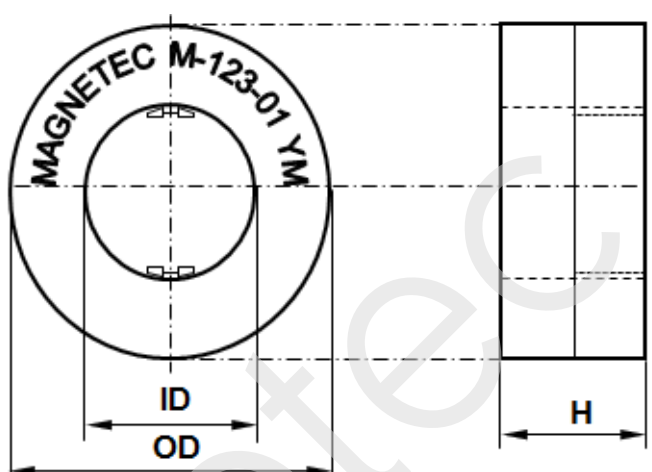


CONFIDENTIAL - Reproduction, publication and dissemination of this publication, enclosures hereto and the information contained therein is prohibited without MAGNETEC's prior written consent.

Client:	MAGNETEC	Magnetec P/N:	M-123		
Client's P/N:	/	PS Index:	01	PS Revision:	04
Subject:	EMC Wandler				

1. Mechanical Outline	
Nominal equivalent round core: 30 x 20 x 10 Finished product dimensions: OD \leq 32,9 ID \geq 17,6 H \leq 12,6 [dimensions] = mm	

2. Core data (nominal values)			
Core material:	NANOPERM®	$L_{Fe} = 7,75 \text{ cm}$	$A_{Fe} = 0,36 \text{ cm}^2$
Permeability level:	ca. 30.000	@ frequency 10 kHz	@ H peak 3,65 mA/cm

3. Inspection values (at room temperature, unless otherwise stated)			
Measured value	Measurement limits	Frequency	leff x N [mA x turn]
AL [μH]	13,6 - 27,2	10 kHz	20
AL [μH]	6,8 - NA	100 kHz	20

4. Core finishing	
Type:	Cased
Marking:	MAGNETEC M-123-01 YM (YM = Year/Month), acc. to IEC 60062 6.1.1
Packaging:	35 pcs. per layer; 6 layers per carton box; PU = 210 pcs.

5. Comments	
Visit http://www.magnetec.de/fileadmin/pdf/pb_ds.pdf for further information.	

Index / Revision	Alteration	Date
01 / 00	Product Specification	21.07.2003
01 / 01	Casechange: PU:210	01.06.2005
01 / 02	LN format	22.02.2013
01 / 03	100kHz lower limit defined	12.11.2014
01 / 04	Harmonization of part and finished product dimensions	02.01.2020

Created:	Z. Braxátor 02.01.2020	Approved (Techn):	F. Zámbořský 02.01.2020	Approved (Quality):	G. Zsák 02.01.2020	Released:	B. Kessler 02.01.2020
-----------------	---------------------------	--------------------------	----------------------------	----------------------------	-----------------------	------------------	--------------------------

CONFIDENTIAL - Reproduction, publication and dissemination of this publication, enclosures hereto and the information contained therein is prohibited without MAGNETEC's prior written consent. Disclosing the specification to third parties or using its content without written permission from MAGNETEC is strictly forbidden and every offender is liable to pay the corresponding damages.