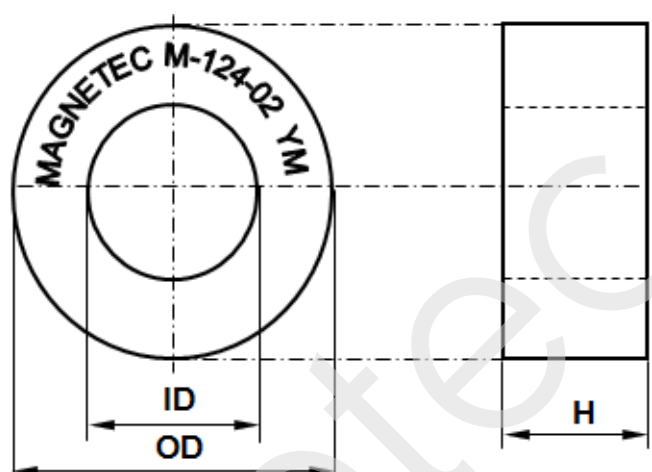


CONFIDENTIAL - Reproduction, publication and dissemination of this publication, enclosures hereto and the information contained therein is prohibited without MAGNETEC's prior written consent.

| | | | | | |
|----------------------|--------------------|----------------------|--------------|---------------------|-----------|
| Client: | MAGNETEC | Magnetec P/N: | M-124 | | |
| Client's P/N: | / | PS Index: | 02 | PS Revision: | 06 |
| Subject: | EMC Wandler | | | | |

| 1. Mechanical Outline | |
|--|--|
| Nominal equivalent round core: 60 x 40 x 30 Finished product dimensions: OD \leq 62,3 ID \geq 37,1 H \leq 35,0 [dimensions] = mm Dimensions of the epoxy coated core* |  |

| 2. Core data (nominal values) | | | |
|-------------------------------|------------------|------------------------------|------------------------------|
| Core material: | NANOPERM® | $L_{Fe} = 15,7 \text{ cm}$ | $A_{Fe} = 2,40 \text{ cm}^2$ |
| Permeability level: | 30 000 | @ frequency 10 kHz | @ H peak 2,7 mA/cm |

| 3. Inspection values (at room temperature, unless otherwise stated) | | | |
|---|--------------------|----------------|----------------------|
| Measured value | Measurement limits | Frequency | leff x N [mA x turn] |
| AL [μH] | 34,8 - 78,0 | 10 kHz | 30 |
| AL [μH] | 17,4 - NA | 100 kHz | 30 |

| 4. Core finishing | |
|-------------------|--|
| Type: | Epoxy coated and foil bandaged |
| Marking: | MAGNETEC M-124-02 YM (YM = Year/Month), acc. to IEC 60062 6.1.1 |
| Packaging: | 10 pcs. per layer; 3 layers per carton box; PU = 30 pcs. |

| 5. Comments |
|--|
| * The foil bandaging can increase the geometry even by 1 mm. Visit http://www.magnetec.de/fileadmin/pdf/pb_ds.pdf for further information. |

| Index / Revision | Alteration | Date |
|------------------|---|------------|
| 02 / 02 | PU = 48 pcs. | 15.01.2002 |
| 02 / 03 | Core foil bandaged | 29.04.2003 |
| 02 / 04 | PU = 30 pcs. | 03.03.2005 |
| 02 / 05 | New format | 13.06.2006 |
| 02 / 06 | Clarification of product dimension, define 100kHz lower limit | 20.10.2014 |

| | | | | | | | |
|-----------------|--------------------------|--------------------------|-----------------------------|----------------------------|-------------------------|------------------|------------------------|
| Created: | Z. Palánki 20.10.2014 | Approved (Techn): | F. Zámbořszky 09.03.2015 | Approved (Quality): | J. Gulyás 09.03.2015 | Released: | T. Trupp 09.03.2015 |
|-----------------|--------------------------|--------------------------|-----------------------------|----------------------------|-------------------------|------------------|------------------------|

CONFIDENTIAL - Reproduction, publication and dissemination of this publication, enclosures hereto and the information contained therein is prohibited without MAGNETEC's prior written consent. Disclosing the specification to third parties or using its content without written permission from MAGNETEC is strictly forbidden and every offender is liable to pay the corresponding damages.