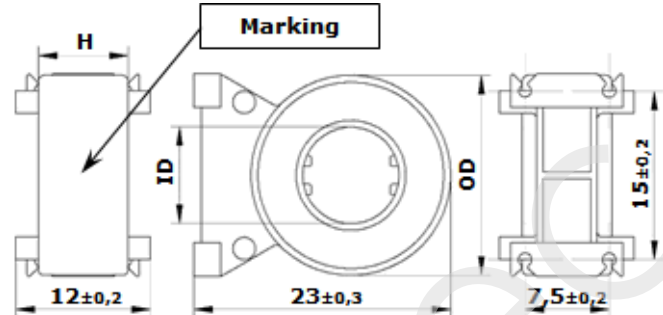


CONFIDENTIAL - Reproduction, publication and dissemination of this publication, enclosures hereto and the information contained therein is prohibited without MAGNETEC's prior written consent.

Client:	MAGNETEC	Magnetec P/N:	M-125		
Client's P/N:		PS Index:	03	PS Revision:	08
Subject:	EMC Wandler				

1. Mechanical Outline	
Nominal equivalent round core: 16 x 10 x 6 Finished product dimensions: OD \leq 18,2 ID \geq 8,4 H \leq 8,2 [dimensions] = mm	

2. Core data (nominal values)			
Core material:	NANOPERM®	$L_{Fe} = 4,0 \text{ cm}$	$A_{Fe} = 0,12 \text{ cm}^2$
Permeability level:	ca. 30 000	@ frequency 10 kHz	@ H peak 3,5 mA/cm

3. Inspection values (at room temperature, unless otherwise stated)			
Measured value	Measurement limits	Frequency	leff x N [mA x turn]
AL [μH]	9,5 - 19	10 kHz	10
AL [μH]	5,64 - NA	100 kHz	10

4. Core finishing	
Type:	Cased
Marking:	MAGNETEC M-125-03 YM (YM = Year/Month), acc. to IEC 60062 6.1.1
Packaging:	60 pcs. per layer; 7 layers per carton box; PU = 420 pcs.

5. Comments	
Visit http://www.magnetec.de/fileadmin/pdf/pb_ds.pdf for further information.	

Index / Revision	Alteration	Date
01 / 00	Product Specification	06.09.2001
02 / 01	LN form / PU = 360 pcs / RoHS compliant	14.11.2008
02 / 02	Marking position changed	11.10.2012
02 / 03	Dimension change	17.10.2012
02 / 04	Packaging change	29.11.2013
02 / 05	100kHz lower limit defined	12.11.2014
02 / 06	Drawing updated	25.02.2016
03 / 07	Change to blue	01.08.2016
03 / 08	100 kHz lower limit increased	05.12.2018

Created:	Z. Braxátor 05.12.2018	Approved (Techn):	F. Zámbořský 18.01.2019	Approved (Quality):	R. Montvai 19.12.2018	Released:	B. Kessler 21.01.2019
-----------------	---------------------------	--------------------------	----------------------------	----------------------------	--------------------------	------------------	--------------------------

CONFIDENTIAL - Reproduction, publication and dissemination of this publication, enclosures hereto and the information contained therein is prohibited without MAGNETEC's prior written consent. Disclosing the specification to third parties or using its content without written permission from MAGNETEC is strictly forbidden and every offender is liable to pay the corresponding damages.