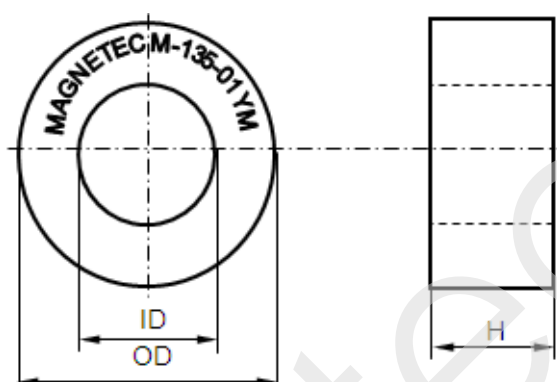


CONFIDENTIAL - Reproduction, publication and dissemination of this publication, enclosures hereto and the information contained therein is prohibited without MAGNETEC 's prior written consent.

Client:	MAGNETEC GmbH	Magnetec P/N:	M-135		
Client's P/N:	/	PS Index:	01	PS Revision:	03
Subject:	CT Wandler				

1. Mechanical Outline	
Nominal equivalent round core: 38 x 32 x 6 Finished product dimensions: OD ≤ 40,0 ID ≥ 28,8 H ≤ 8,2 [dimensions] = mm	

2. Core data (nominal values)			
Core material:	NANOPERM®	$L_{Fe} = 10,80 \text{ cm}$	$A_{Fe} = 0,13 \text{ cm}^2$
Permeability level:	125.000 - 250.000	@ frequency 50 Hz	@ H peak 8 mA/cm

3. Inspection values (at room temperature, unless otherwise stated)			
Measured value	Measurement limits	Frequency	$I_{eff} \times N$ [mA x turn]
AI [μH]	20 - 40	50 Hz	60

4. Core finishing	
Type:	Cased
Marking:	MAGNETEC M-135-01 YM (YM = Year/Month), acc. to IEC 62 5.1
Packaging:	- pcs. per layer; - layers per carton box; PU = - pcs.

5. Comments	
Visit http://www.magnetec.de/fileadmin/pdf/pb_ds.pdf for further information.	

Index / Revision	Alteration	Date
01 / 01	Product specification	28.04.2011
01 / 02	AI limit change	17.08.2012
01 / 03	Harmonization of part and finished product dimensions	15.01.2020

Created:	Z. Braxátor 15.01.2020	Approved (Techn):	F. Záborszky 15.01.2020	Approved (Quality):	G. Zsák 15.01.2020	Released:	B. Kessler 15.01.2020
-----------------	---------------------------	--------------------------	----------------------------	----------------------------	-----------------------	------------------	--------------------------

CONFIDENTIAL - Reproduction, publication and dissemination of this publication, enclosures hereto and the information contained therein is prohibited without MAGNETEC's prior written consent. Disclosing the specification to third parties or using its content without written permission from MAGNETEC is strictly forbidden and every offender is liable to pay the corresponding damages.