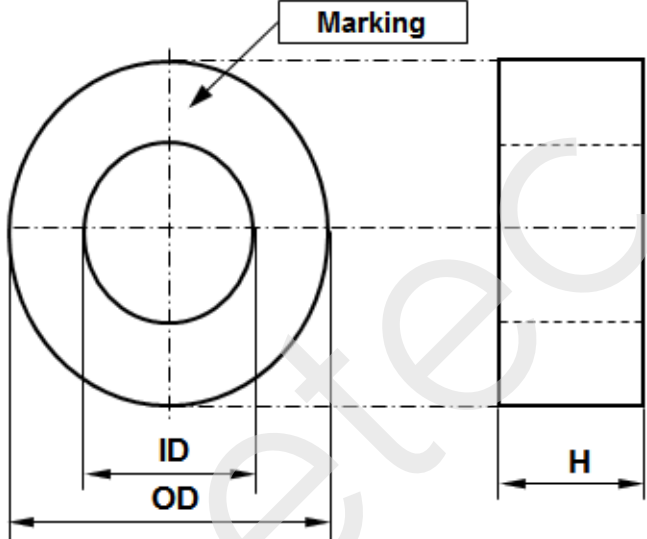


CONFIDENTIAL - Reproduction, publication and dissemination of this publication, enclosures hereto and the information contained therein is prohibited without MAGNETEC's prior written consent.

Client:	MAGNETEC	Magnetec P/N:	M-1367		
Client's P/N:		PS Index:	01	PS Revision:	01
Subject:	EMC Wandler				

1. Mechanical Outline	
<p>Nominal equivalent round core:</p> <p>50 x 40 x 20</p> <p>Finished product dimensions:</p> <p>OD ≤ 52,6 ID ≥ 36,6 H ≤ 23,0</p> <p>[dimensions] = mm</p>	

2. Core data (nominal values)			
Core material:	NANOPERM®	L _{Fe} = 14,08 cm	A _{Fe} = 0,73 cm²
Permeability level:	ca. 23 000	@ frequency 10 kHz	@ H peak 3 mA/cm
	ca. 16 000	100 kHz	3 mA/cm

3. Inspection values (at room temperature, unless otherwise stated)			
Measured value	Measurement limits	Frequency	I _{eff} x N [mA x turn]
AL1 [μH]	10,4 - 20,8	10 kHz	30
AL2 [μH]	8,5 - 14,6	100 kHz	30

4. Core finishing	
Type:	Glued into case
Marking:	MAGNETEC M-1367-01 YM (YM = Year/Month), acc. to IEC 60062 6.1.1
Packaging:	15 pcs. per layer; 4 layers per carton box; PU = 60 pcs.

5. Comments
Visit http://www.magnetec.de/fileadmin/pdf/pb_ds.pdf for further information.

Index / Revision	Alteration	Date
01 / 01	First issue	12.08.2016

Created:	Z. Palánki 12.08.2016	Approved (Techn):	F. Zámbořszky 12.09.2016	Approved (Quality):	L. Ferencz 12.09.2016	Released:	P. Seiz 12.09.2016
-----------------	--------------------------	--------------------------	-----------------------------	----------------------------	--------------------------	------------------	-----------------------

CONFIDENTIAL - Reproduction, publication and dissemination of this publication, enclosures hereto and the information contained therein is prohibited without MAGNETEC's prior written consent. Disclosing the specification to third parties or using its content without written permission from MAGNETEC is strictly forbidden and every offender is liable to pay the corresponding damages.