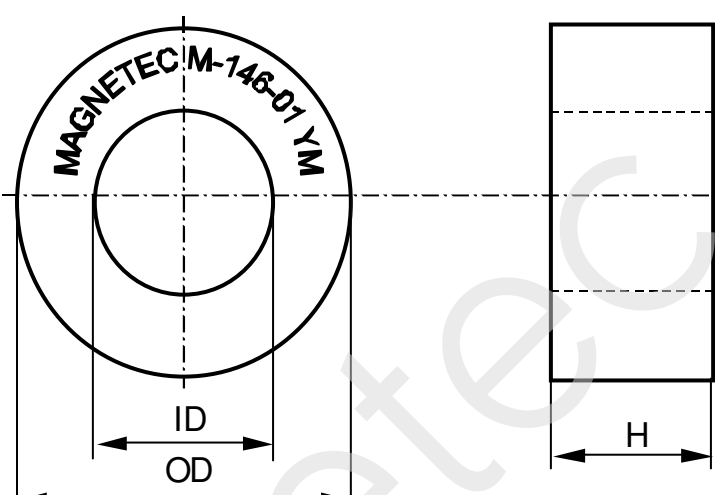


CONFIDENTIAL - Reproduction, publication and dissemination of this publication, enclosures hereto and the information contained therein is prohibited without MAGNETEC's prior written consent.

<b>Client:</b>	<b>MAGNETEC</b>	<b>Magnetec P/N:</b>	<b>M-146</b>		
<b>Client's P/N:</b>	/	<b>PS Index:</b>	<b>01</b>	<b>PS Revision:</b>	<b>03</b>
<b>Subject:</b>	<b>CT Wandler</b>				

1. Mechanical Outline	
Nominal equivalent round core:  <b>17,5 x 12,5 x 5</b>  Finished product dimensions:  OD ≤ <b>19,0</b> ID ≥ <b>11,5</b> H ≤ <b>6,0</b>  [dimensions] = mm	

2. Core data (nominal values)			
Core material:	<b>NANOPERM®</b>	$L_{Fe} = 4,67 \text{ cm}$	$A_{Fe} = 0,1 \text{ cm}^2$
Permeability level:	<b>&gt; 110 000</b>	@ frequency <b>50 Hz</b>	@ H peak <b>4,5 mA/cm</b>

3. Inspection values (at room temperature, unless otherwise stated)			
Measured value	Measurement limits	Frequency	leff x N [mA x turn]
<b>AL [µH]</b>	<b>29 - NA</b>	<b>50 Hz</b>	<b>15</b>

4. Core finishing	
Type:	<b>Epoxy coated</b>
Marking:	<b>MAGNETEC M-146-01 YM (YM = Year/Month), acc. to IEC 62 5.1</b>
Packaging:	<b>110 pcs. per layer; 10 layers per carton box; PU = 1100 pcs.</b>

5. Comments	
Visit <a href="http://www.magnetec.de/fileadmin/pdf/pb_ds.pdf">http://www.magnetec.de/fileadmin/pdf/pb_ds.pdf</a> for further information.	

Index / Revision	Alteration	Date
01 / 00	Product Specification	19.04.2002
01 / 01	PU = 540 pcs.	18.12.2002
01 / 02	RoHS conform	16.06.2008
01 / 03	PU = 1100 pcs.	03.07.2012

<b>Created:</b>	Zs. Eperjesi 03.07.2012	<b>Approved (Techn):</b>	F. Zámboorszky 30.07.2012	<b>Approved (Quality):</b>	J. Gulyás 07.08.2012	<b>Released:</b>	F. Rauscher 07.08.2012
-----------------	----------------------------	--------------------------	------------------------------	----------------------------	-------------------------	------------------	---------------------------

CONFIDENTIAL - Reproduction, publication and dissemination of this publication, enclosures hereto and the information contained therein is prohibited without MAGNETEC's prior written consent. Disclosing the specification to third parties or using its content without written permission from MAGNETEC is strictly forbidden and every offender is liable to pay the corresponding damages.