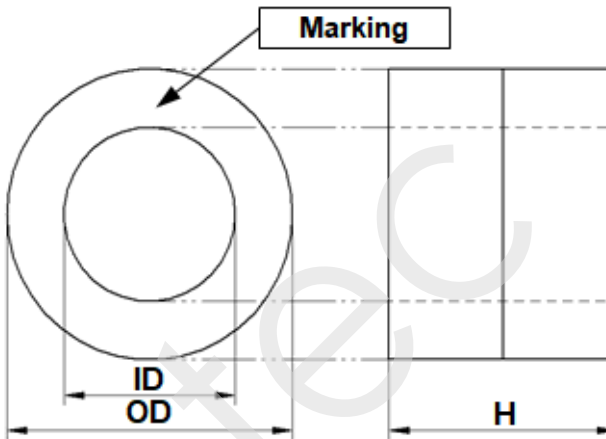


CONFIDENTIAL - Reproduction, publication and dissemination of this publication, enclosures hereto and the information contained therein is prohibited without MAGNETEC's prior written consent.

Client:	MAGNETEC	Magnetec P/N:	M-1504		
Client's P/N:	/	PS Index:	01	PS Revision:	01
Subject:	EMC Wandler				

1. Mechanical Outline	
Nominal equivalent round core: 50 x 40 x 20 Finished product dimensions: OD ≤ 52,8 ID ≥ 36,5 H ≤ 23 [dimensions] = mm	

2. Core data (nominal values)			
Core material:	NANOPERM®	$L_{Fe} = 13,9 \text{ cm}$	$A_{Fe} = 0,73 \text{ cm}^2$
Permeability level:	4 000	@ frequency 10 kHz	@ H peak 3 mA/cm

3. Inspection values (at room temperature, unless otherwise stated)			
Measured value	Measurement limits	Frequency	leff x N [mA x turn]
AL [μH]	1.88 - 3.74	10 kHz	30
AL [μH]	1.88 - NA	100 kHz	30

4. Core finishing	
Type:	Cased
Marking:	MAGNETEC M-1504-01 YM (YM = Year/Month), acc. to IEC 60062 6.1.1
Packaging:	15 pcs. per layer; 4 layers per carton box; PU = 60 pcs.

5. Comments
 Visit http://www.magnetec.de/fileadmin/pdf/pb_ds.pdf for further information.

Index / Revision	Alteration	Date
01 / 01	First issue	05.07.2017

Created:	Z. Palánki 05.07.2017	Approved (Techn):	F. Zámbořszky 04.10.2017	Approved (Quality):	G. Zsák 04.10.2017	Released:	P. Seiz 05.10.2017
-----------------	--------------------------	--------------------------	-----------------------------	----------------------------	-----------------------	------------------	-----------------------

CONFIDENTIAL - Reproduction, publication and dissemination of this publication, enclosures hereto and the information contained therein is prohibited without MAGNETEC's prior written consent. Disclosing the specification to third parties or using its content without written permission from MAGNETEC is strictly forbidden and every offender is liable to pay the corresponding damages.