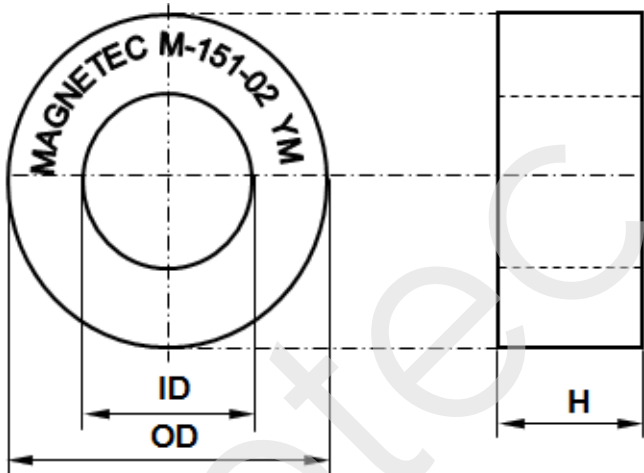


CONFIDENTIAL - Reproduction, publication and dissemination of this publication, enclosures hereto and the information contained therein is prohibited without MAGNETEC's prior written consent.

<b>Client:</b>	<b>MAGNETEC</b>	<b>Magnetec P/N:</b>	<b>M-151</b>		
<b>Client's P/N:</b>	/	<b>PS Index:</b>	<b>02</b>	<b>PS Revision:</b>	<b>03</b>
<b>Subject:</b>	<b>EMC Wandler</b>				

1. Mechanical Outline	
Nominal equivalent round core:  <b>40 x 32 x 15</b>  Finished product dimensions:  OD ≤ <b>42,3</b> ID ≥ <b>29,1</b> H ≤ <b>17,3</b>  [dimensions] = mm	

2. Core data (nominal values)			
Core material:	<b>NANOPERM®</b>	$L_{Fe} = 11,26 \text{ cm}$	$A_{Fe} = 0,44 \text{ cm}^2$
Permeability level:	<b>ca. 40.000</b>	@ frequency <b>10 kHz</b>	@ H peak <b>3,1 mA/cm</b>

3. Inspection values (at room temperature, unless otherwise stated)			
Measured value	Measurement limits	Frequency	leff x N [mA x turn]
<b>AL [μH]</b>	<b>16,0 - 30,0</b>	<b>10 kHz</b>	<b>20,0</b>

4. Core finishing	
Type:	<b>Epoxy coated</b>
Marking:	<b>MAGNETEC M-151-02 YM (YM = Year/Month), acc. to IEC 62 5.1</b>
Packaging:	<b>24 pcs. per layer; 5 layers per carton box; PU = 120 pcs.</b>

5. Comments	
Visit <a href="http://www.magnetec.de/fileadmin/pdf/pb_ds.pdf">http://www.magnetec.de/fileadmin/pdf/pb_ds.pdf</a> for further information.	

Index / Revision	Alteration	Date
01 / 00	Product Specification	28.01.2002
02 / 01	AL=16-30μH	29.01.2004
02 / 02	RoHS conform, PU = 120 pcs.	07.02.2006
02 / 03	LN format	11.03.2013

<b>Created:</b>	Z. Palánki 11.03.2013	<b>Approved (Techn):</b>	F. Zámbořský 16.05.2013	<b>Approved (Quality):</b>	J. Gulyás 16.05.2013	<b>Released:</b>	F. Rauscher 16.05.2013
-----------------	--------------------------	--------------------------	----------------------------	----------------------------	-------------------------	------------------	---------------------------

CONFIDENTIAL - Reproduction, publication and dissemination of this publication, enclosures hereto and the information contained therein is prohibited without MAGNETEC's prior written consent. Disclosing the specification to third parties or using its content without written permission from MAGNETEC is strictly forbidden and every offender is liable to pay the corresponding damages.