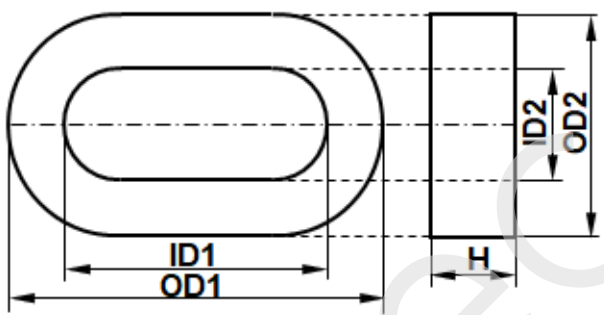


CONFIDENTIAL - Reproduction, publication and dissemination of this publication, enclosures hereto and the information contained therein is prohibited without MAGNETEC's prior written consent.

Client:	MAGNETEC	Magnetec P/N:	M-1538		
Client's P/N:	/	PS Index:	01	PS Revision:	03
Subject:	CT Wandler				

1. Mechanical Outline	
Nominal equivalent round core: 49,8 x 45,3 x 5 Finished product dimensions: OD : $OD1 \leq 68,7$ / $OD2 \leq 25,6$ ID : $ID1 \geq 57,6$ / $ID2 \geq 14,7$ $H \leq 7,0$ [dimensions] = mm	

2. Core data (nominal values)			
Core material:	NANOPERM®	$L_{Fe} = 14,9 \text{ cm}$	$A_{Fe} = 0,086 \text{ cm}^2$
Permeability level:	225 000	@ frequency 50 Hz	@ H peak 21 mA/cm

3. Inspection values (at room temperature, unless otherwise stated)			
Measured value	Measurement limits	Frequency	$I_{eff} \times N$ [mA x turn]
AL [μH]	NA - 20,82	50 Hz	141
AL [μH]	11,48 - NA	50 Hz	225

4. Core finishing	
Type:	Glued into case
Marking:	None
Packaging:	17 pcs. per layer; 15 layers per carton box; PU = 255 pcs.

5. Comments
Visit http://www.magnetec.de/fileadmin/pdf/pb_ds.pdf for further information.

Index / Revision	Alteration	Date
01 / 01	First issue	27.06.2018
01 / 02	Packaging defined	20.07.2021
01 / 03	Excitation and limit change	25.05.2023

Created:	Z. Palánki 25.05.2023	Approved (Techn):	V. Kiss 31.05.2023.	Approved (Quality):	D. Parragi 31.05.2023	Released:	D. Tóth 27.06.2023
-----------------	--------------------------	--------------------------	------------------------	----------------------------	--------------------------	------------------	-----------------------

CONFIDENTIAL - Reproduction, publication and dissemination of this publication, enclosures hereto and the information contained therein is prohibited without MAGNETEC's prior written consent. Disclosing the specification to third parties or using its content without written permission from MAGNETEC is strictly forbidden and every offender is liable to pay the corresponding damages.