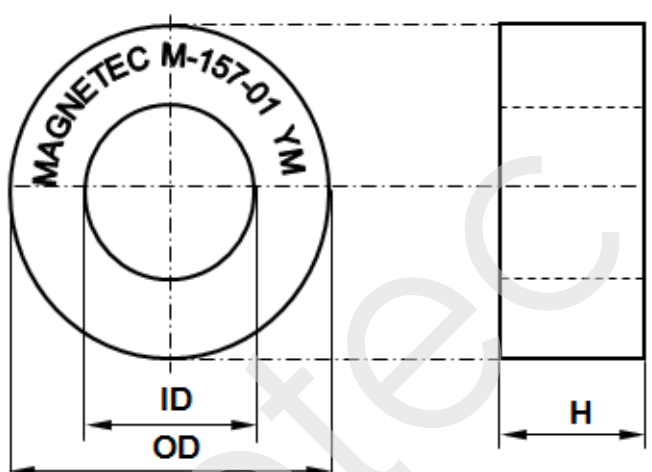


CONFIDENTIAL - Reproduction, publication and dissemination of this publication, enclosures hereto and the information contained therein is prohibited without MAGNETEC's prior written consent.

<b>Client:</b>	<b>MAGNETEC</b>	<b>Magnetec P/N:</b>	<b>M-157</b>		
<b>Client's P/N:</b>	/	<b>PS Index:</b>	<b>01</b>	<b>PS Revision:</b>	<b>03</b>
<b>Subject:</b>	<b>EMC Wandler</b>				

1. Mechanical Outline	
Nominal equivalent round core:  <b>40 x 25 x 15</b>  Finished product dimensions:  OD $\leq$ <b>41,8</b> ID $\geq$ <b>23,2</b> H $\leq$ <b>17,2</b>  [dimensions] = mm  Dimensions of the epoxy coated core*	

2. Core data (nominal values)			
Core material:	<b>NANOPERM®</b>	$L_{Fe} = 10,03 \text{ cm}$	$A_{Fe} = 0,88 \text{ cm}^2$
Permeability level:	<b>ca. 90 000</b>	@ frequency <b>10 kHz</b>	@ H peak <b>2,77 mA/cm</b>

3. Inspection values (at room temperature, unless otherwise stated)			
Measured value	Measurement limits	Frequency	leff x N [mA x turn]
<b>AL [μH]</b>	<b>70 - 140</b>	<b>10 kHz</b>	<b>20</b>
<b>AL [μH]</b>	<b>16,1 - NA</b>	<b>100 kHz</b>	<b>20</b>

4. Core finishing	
Type:	<b>Epoxy coated and foil bandaged</b>
Marking:	<b>MAGNETEC M-157-01 YM (YM = Year/Month), acc. to IEC 60062 6.1.1</b>
Packaging:	<b>24 pcs. per layer; 4 layers per carton box; PU = 96 pcs.</b>

5. Comments
* <b>The foil bandaging can increase the geometry even by 1 mm.</b> Visit <a href="http://www.magnetec.de/fileadmin/pdf/pb_ds.pdf">http://www.magnetec.de/fileadmin/pdf/pb_ds.pdf</a> for further information.

Index / Revision	Alteration	Date
01 / 00	Product Specification	23.01.2002
01 / 01	LN format	08.02.2013
01 / 02	Clarification of product dimension	09.04.2014
01 / 03	Nominal permeability and 10kHz upper limit given, 100kHz lower limit defined, packaging change	09.03.2015

<b>Created:</b>	Z. Palánki 09.03.2015	<b>Approved (Techn):</b>	F. Zámbořský 31.03.2015	<b>Approved (Quality):</b>	J. Gulyás 31.03.2015	<b>Released:</b>	T. Trupp 31.03.2015
-----------------	--------------------------	--------------------------	----------------------------	----------------------------	-------------------------	------------------	------------------------

CONFIDENTIAL - Reproduction, publication and dissemination of this publication, enclosures hereto and the information contained therein is prohibited without MAGNETEC's prior written consent. Disclosing the specification to third parties or using its content without written permission from MAGNETEC is strictly forbidden and every offender is liable to pay the corresponding damages.