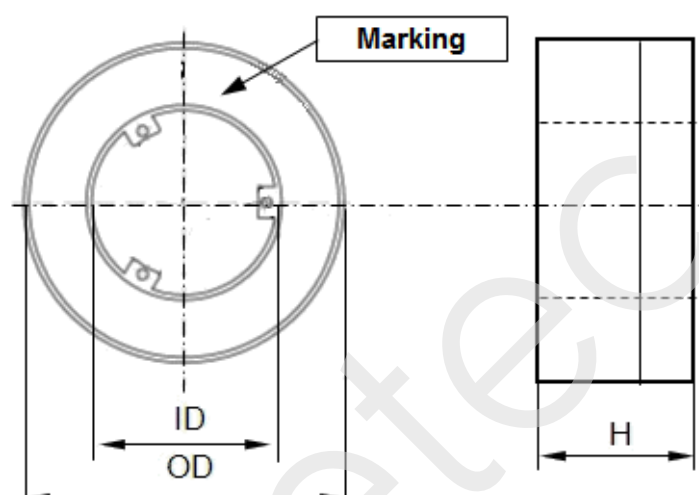


CONFIDENTIAL - Reproduction, publication and dissemination of this publication, enclosures hereto and the information contained therein is prohibited without MAGNETEC 's prior written consent.

Client:	MAGNETEC	Magnetec P/N:	M-1623		
Client's P/N:	/	PS Index:	01	PS Revision:	01
Subject:	EMC Wandler				

1. Mechanical Outline	
Nominal equivalent round core: 55 x 40 x 25 Finished product dimensions: OD ≤ 60,5 ID ≥ 34,0 H ≤ 32,0 [dimensions] = mm	

2. Core data (nominal values)			
Core material:	NANOPERM®	$L_{Fe} = 14,7 \text{ cm}$	$A_{Fe} = 1,39 \text{ cm}^2$
Permeability level:	20 000	@ frequency 10 kHz	@ H peak 3 mA/cm

3. Inspection values (at room temperature, unless otherwise stated)			
Measured value	Measurement limits	Frequency	leff x N [mA x turn]
AL [μH]	16,7 - 33,3	10 kHz	31
AL [μH]	13,3 - NA	100 kHz	31

4. Core finishing	
Type:	Cased
Marking:	MAGNETEC M-1623-01 YM (YM = Year/Month), acc. to IEC 60062 6.1.1
Packaging:	10 pcs. per layer; 3 layers per carton box; PU = 30 pcs.

5. Comments	
Visit http://www.magnetec.de/fileadmin/pdf/pb_ds.pdf for further information.	

Index / Revision	Alteration	Date
01 / 01	First issue	06.07.2016

Created:	Z. Palánki 06.07.2016	Approved (Techn):	F. Zámbořszky 21.07.2016	Approved (Quality):	L. Ferencz 21.07.2016	Released:	T. Trupp 21.07.2016
-----------------	--------------------------	--------------------------	-----------------------------	----------------------------	--------------------------	------------------	------------------------

CONFIDENTIAL - Reproduction, publication and dissemination of this publication, enclosures hereto and the information contained therein is prohibited without MAGNETEC's prior written consent. Disclosing the specification to third parties or using its content without written permission from MAGNETEC is strictly forbidden and every offender is liable to pay the corresponding damages .