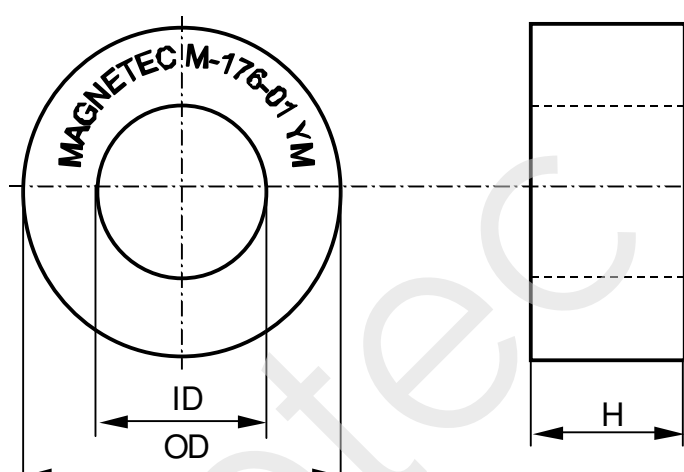


CONFIDENTIAL - Reproduction, publication and dissemination of this publication, enclosures hereto and the information contained therein is prohibited without MAGNETEC's prior written consent.

<b>Client:</b>	<b>MAGNETEC</b>	<b>Magnetec P/N:</b>	<b>M-176</b>		
<b>Client's P/N:</b>	/	<b>PS Index:</b>	<b>01</b>	<b>PS Revision:</b>	<b>02</b>
<b>Subject:</b>	<b>EMC Wandler</b>				

1. Mechanical Outline	
<p>Nominal equivalent round core:</p> <p><b>50 x 40 x 25</b></p> <p>Finished product dimensions:</p> <p>OD ≤ <b>52,7</b> ID ≥ <b>37,8</b> H ≤ <b>28,6</b></p> <p>[dimensions] = mm</p>	

2. Core data (nominal values)			
Core material:	<b>NANOPERM®</b>	$L_{Fe} = 14,08 \text{ cm}$	$A_{Fe} = 0,91 \text{ cm}^2$
Permeability level:	<b>55.000</b>	@ frequency <b>10 kHz</b>	@ H peak <b>3,01 mA/cm</b>

3. Inspection values (at room temperature, unless otherwise stated)			
Measured value	Measurement limits	Frequency	$l_{eff} \times N$ [mA x turn]
<b>AL [μH]</b>	<b>31,4 - 62,7</b>	<b>10 kHz</b>	<b>30,0</b>

4. Core finishing	
Type:	<b>Epoxy coated</b>
Marking:	<b>MAGNETEC M-176-01 YM (YM = Year/Month), acc. to IEC 62 5.1</b>
Packaging:	<b>15 pcs. per layer; 3 layers per carton box; PU = 45 pcs.</b>

5. Comments	
Visit <a href="http://www.magnetec.de/fileadmin/pdf/pb_ds.pdf">http://www.magnetec.de/fileadmin/pdf/pb_ds.pdf</a> for further information.	

Index / Revision	Alteration	Date
01 / 00	Product Specification	07.11.2003
01 / 01	AL = 31,4 - 62,7 μH; PU = 45 pcs	01.02.2007
01 / 02	No foil bandage	17.07.2012

<b>Created:</b>	Zs. Eperjesi 17.07.2012	<b>Approved (Techn):</b>	F. Zámbořský 23.07.2012	<b>Approved (Quality):</b>	J. Gulyas 07.08.2012	<b>Released:</b>	F. Rauscher 07.08.2012
-----------------	----------------------------	--------------------------	----------------------------	----------------------------	-------------------------	------------------	---------------------------

CONFIDENTIAL - Reproduction, publication and dissemination of this publication, enclosures hereto and the information contained therein is prohibited without MAGNETEC's prior written consent. Disclosing the specification to third parties or using its content without written permission from MAGNETEC is strictly forbidden and every offender is liable to pay the corresponding damages.