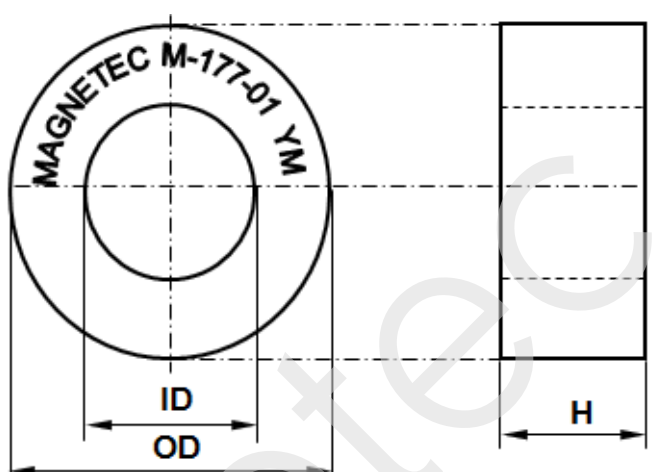


CONFIDENTIAL - Reproduction, publication and dissemination of this publication, enclosures hereto and the information contained therein is prohibited without MAGNETEC's prior written consent.

Client:	MAGNETEC	Magnetec P/N:	M-177		
Client's P/N:	/	PS Index:	01	PS Revision:	02
Subject:	EMC Wandler				

1. Mechanical Outline	
Nominal equivalent round core: 50 x 40 x 25 Finished product dimensions: OD ≤ 52,7 ID ≥ 37,8 H ≤ 28,6 [dimensions] = mm Dimensions of the epoxy coated core*	

2. Core data (nominal values)			
Core material:	NANOPERM®	$L_{Fe} = 14,08 \text{ cm}$	$A_{Fe} = 0,91 \text{ cm}^2$
Permeability level:	30.000	@ frequency 10 kHz	@ H peak 3,01 mA/cm

3. Inspection values (at room temperature, unless otherwise stated)			
Measured value	Measurement limits	Frequency	leff x N [mA x turn]
AL [μH]	18,7 - 37,5	10 kHz	30
AL [μH]	9,3 - NA	100 kHz	30

4. Core finishing	
Type:	Epoxy coated and foil bandaged
Marking:	MAGNETEC M-177-01 YM (YM = Year/Month), acc. to IEC 62 5.1
Packaging:	10 pcs. per layer; 3 layers per carton box; PU = 30 pcs.

5. Comments
 * The foil bandaging can increase the geometry even by 1 mm. Visit http://www.magnetec.de/fileadmin/pdf/pb_ds.pdf for further information.

Index / Revision	Alteration	Date
01 / 00	Product Specification	07.11.2003
01 / 01	PU= 30 pcs.	16.04.2007
01 / 02	Clarification of product dimension, define 100kHz lower limit	20.10.2014

Created:	Z. Palánki 20.10.2014	Approved (Techn):	F. Záborszky 31.03.2015	Approved (Quality):	J. Gulyás 31.03.2015	Released:	T. Trupp 31.03.2015
-----------------	--------------------------	--------------------------	----------------------------	----------------------------	-------------------------	------------------	------------------------

CONFIDENTIAL - Reproduction, publication and dissemination of this publication, enclosures hereto and the information contained therein is prohibited without MAGNETEC's prior written consent. Disclosing the specification to third parties or using its content without written permission from MAGNETEC is strictly forbidden and every offender is liable to pay the corresponding damages.