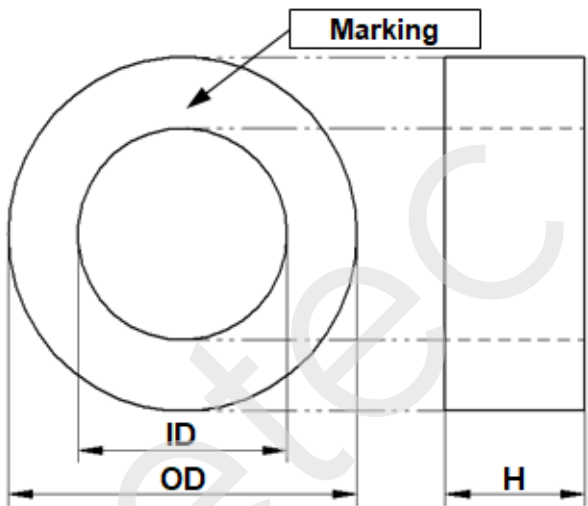


CONFIDENTIAL - Reproduction, publication and dissemination of this publication, enclosures hereto and the information contained therein is prohibited without MAGNETEC 's prior written consent.

Client:	MAGNETEC GmbH	Magnetec P/N:	M-1801		
Client's P/N:	/	PS Index:	01	PS Revision:	01
Subject:	EMC Wandler				

1. Mechanical Outline	
Nominal equivalent round core: 100 x 80 x 30 Finished product dimensions: OD ≤ 105 ID ≥ 75 H ≤ 35 [dimensions] = mm	

2. Core data (nominal values)			
Core material:	NANOPERM®	$L_{Fe} = 28,1 \text{ cm}$	$A_{Fe} = 2,22 \text{ cm}^2$
Permeability level:	1 000	@ frequency 10 kHz	@ H peak 3 mA/cm

3. Inspection values (at room temperature, unless otherwise stated)			
Measured value	Measurement limits	Frequency	$I_{eff} \times N$ [mA x turn]
AL [μH]	0,70 - 1,38	10 kHz	60
AL [μH]	0,70 - NA	100 kHz	60

4. Core finishing	
Type:	Cased
Marking:	MAGNETEC M-1801-01 YM (YM = Year/Month), acc. to IEC 60062 6.1.1
Packaging:	4 pcs. per layer; 3 layers per carton box; PU = 12 pcs.

5. Comments
Visit http://www.magnetec.de/fileadmin/pdf/pb_ds.pdf for further information.

Index / Revision	Alteration	Date
01 / 01	Product Specification	2017.08.24

Created:	M. Pádár 24.08.2017	Approved (Techn):	F. Zámbořszky 29.09.2017	Approved (Quality):	G. Zsák 29.09.2017	Released:	P. Seiz 10.10.2017
-----------------	------------------------	--------------------------	-----------------------------	----------------------------	-----------------------	------------------	-----------------------

CONFIDENTIAL - Reproduction, publication and dissemination of this publication, enclosures hereto and the information contained therein is prohibited without MAGNETEC's prior written consent. Disclosing the specification to third parties or using its content without written permission from MAGNETEC is strictly forbidden and every offender is liable to pay the corresponding damages .