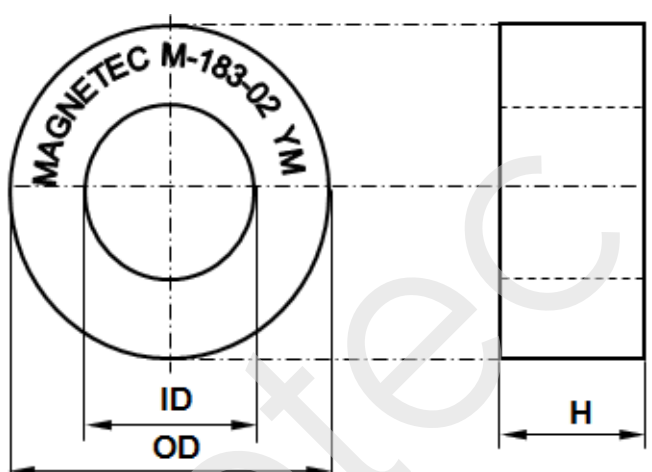


CONFIDENTIAL - Reproduction, publication and dissemination of this publication, enclosures hereto and the information contained therein is prohibited without MAGNETEC's prior written consent.

Client:	MAGNETEC	Magnetec P/N:	M-183		
Client's P/N:	/	PS Index:	02	PS Revision:	01
Subject:	EMC Wandler				

1. Mechanical Outline	
Nominal equivalent round core: 40 x 25 x 15 Finished product dimensions: OD \leq 43,5 ID \geq 22,5 H \leq 18,7 [dimensions] = mm	

2. Core data (nominal values)			
Core material:	NANOPERM®	$L_{Fe} = 10,03 \text{ cm}$	$A_{Fe} = 0,79 \text{ cm}^2$
Permeability level:	ca. 90 000	@ frequency 10 kHz	@ H peak 3,0 mA/cm

3. Inspection values (at room temperature, unless otherwise stated)			
Measured value	Measurement limits	Frequency	leff x N [mA x turn]
AL [μH]	76 - 142	10 kHz	21
AL [μH]	17,3 - 35,4	100 kHz	21

4. Core finishing	
Type:	Cased
Marking:	MAGNETEC M-183-02 YM (YM = Year/Month), acc. to IEC 62 5.1
Packaging:	24 pcs. per layer; 4 layers per carton box; PU = 96 pcs.

5. Comments
Visit http://www.magnetec.de/fileadmin/pdf/pb_ds.pdf for further information.

Index / Revision	Alteration	Date
02 / 01	Product Specification	27.08.2012

Created:	Z. Palánki 27.08.2012	Approved (Techn):	F. Zámbořský 12.09.2012	Approved (Quality):	J. Gulyás 12.09.2012	Released:	F. Rauscher 12.09.2012
-----------------	--------------------------	--------------------------	----------------------------	----------------------------	-------------------------	------------------	---------------------------

CONFIDENTIAL - Reproduction, publication and dissemination of this publication, enclosures hereto and the information contained therein is prohibited without MAGNETEC's prior written consent. Disclosing the specification to third parties or using its content without written permission from MAGNETEC is strictly forbidden and every offender is liable to pay the corresponding damages.